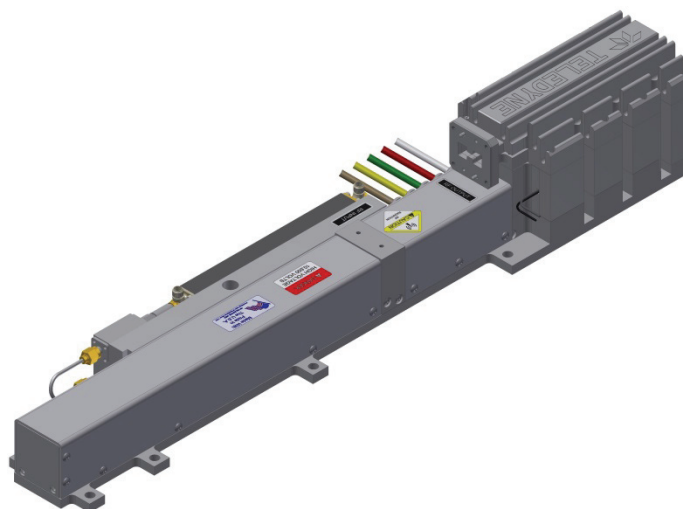


# MTG 5336AX

## Communication TWT

### Dual Band

- 400 W Minimum Power
- Dual Band
- -40° to 85° C
- 1465 W Typ. Prime Power
- 38/52 dB Typical Gain
- 19.8" L x 3" W x 3.4" H (50.3 x 7.7 x 8.6 cm)
- Phase Match Available



#### RF Performance

Freq (GHz)	Typ. Sat. Power Output (W)	Min. Spec. Power Output (W)	Typ. Gain @ Spec. Power (dB)
5.850	425	400*	38
6.250	425	400	38
6.650	425	400	38
13.750	420	400**	52
14.250	420	400	52
14.500	420	400	52

Typical power output is shown to illustrate capability.

Typical gain shown is with equalizer.

\*\*\* Minimum harmonic separation applies to the minimum specified power output at the indicated frequency.

Typical Operating Conditions			Power Supply Requirements		
Element	Voltage	Current	Voltage Min.	Voltage Max.	Current Max.
Heater	-6 Vdc	1.3 A	-5.6 Vdc	-6.6 Vdc	2 A
Helix					
with RF	Ground	6 mA	Ground	Ground	10 mA
without RF	Ground	1 mA	Ground	Ground	10 mA
FE On	-6 Vdc	0.1 mA	0	-10 Vdc	1 mA
FE Off	-1600 Vdc	0.1 mA	-1600 Vdc	-1800 Vdc	1 mA
Cathode (E <sub>k</sub> )	-10.8 kV	300 mA	-9.6 kV	-11.4 kV	340 mA
Collector w/RF					
Coll. #1	6.05 kV	70 mA	56% x E <sub>k</sub> ±2%		125 mA
Coll. #2	4.32 kV	224 mA	40% x E <sub>k</sub> ±2%		330 mA

Cathode voltage is measured with respect to ground.

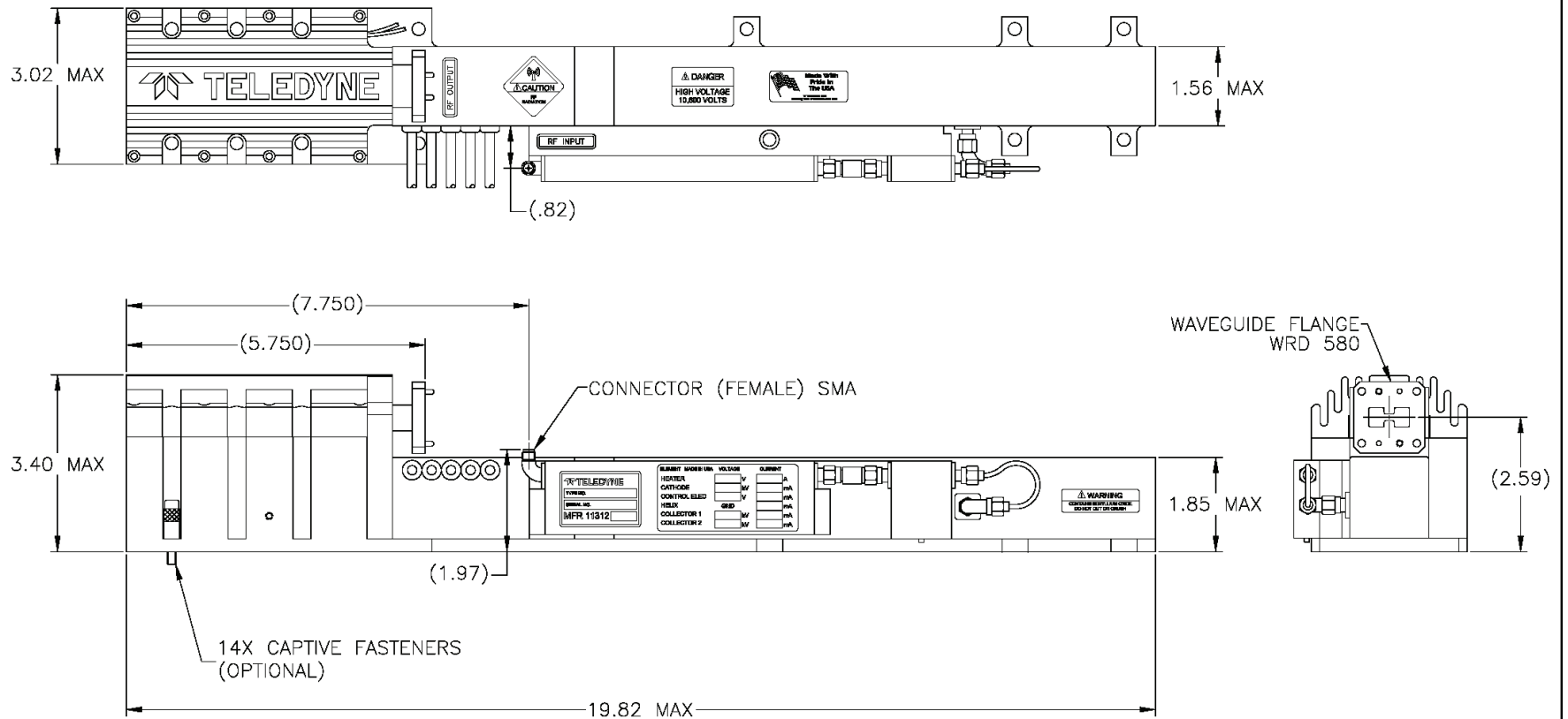
Heater, Collector, and Focus Electrode (FE) voltages are measured with respect to Cathode.

Performance	Typical	Spec
Input VSWR.....	2.0:1	2.25:1
Output VSWR.....	2.2:1	2.3:1
Max. Duty .....	—	CW
FE Capacitance .....	50 pF	65 pF
Min. Harmonic Separation (dBc) .....	-5/-20	-3*/-15**
Noise Power Density (dBm/MHz) .....	-14	-12
Prime Power .....	1465 W	1550 W

This model number is controlled by the International Traffic in Arms Regulations, and can only be exported via a U.S. Department of State export license. They may not be transferred, transshipped on a non-continuous voyage, or otherwise be disposed of in any other country, either in their original form or after being incorporated into other end-items, without the prior written approval of the U.S. Department of State.

NOTES:

1. THERMOSTAT OPTIONS: N/C OR N/O



SUBJECT TO CHANGE W/O NOTICE ISO 9001:2008 Registered

TELEDYNE MICROWAVE SOLUTIONS  
TWT Products  
11361 Sunrise Park Dr., Rancho Cordova, CA 95744 (916) 638-3344

TITLE

MTG 5336AX

This model number is controlled by the International Traffic in Arms Regulations, and can only be exported via a U.S. Department of State export license. They may not be transferred, transshipped on a non-continuous voyage, or otherwise be disposed of in any other country, either in their original form or after being incorporated into other end-items, without the prior written approval of the U.S. Department of State.