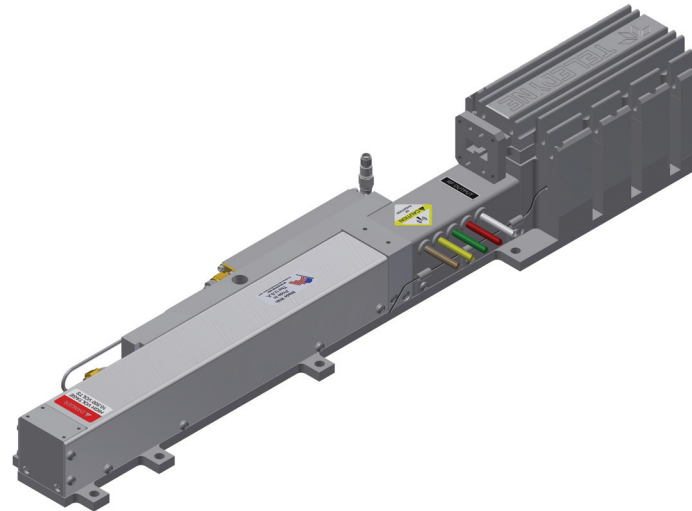


MEC 5487

Continuous Wave TWT

8 GHz – 18 GHz

- 400 W Typical Minimum Power
- 8 to 18 GHz
- -40° to 85° C
- 1300 W Typical Prime Power
- 44 to 47 dB Typical Gain @ Specified Power Output
- 19.8" L x 3.00" W x 3.34" H (50.3 x 7.62 x 8.5 cm)
- Phase Match Available



RF Performance

Freq (GHz)	Typ. Sat. Power Output (W)	Min. Spec. Power Output (W)	Typ. Gain @ Spec. Power (dB)
8.0	410	325	45
9.0	415	325	44
10.0	400	325	46
11.0	400	325	47
12.0	425	325	46
13.0	425	325	45
14.0	425	325	45
15.0	410	325	45
16.0	425	325	45
17.0	425	325	46
18.0	425	325	47

Typical power output is shown to illustrate capability.
Typical gain shown is with equalizer.

Typical Operating Conditions Element	Voltage	Current	Power Supply Requirements		
			Voltage Min.	Voltage Max.	Current Max.
Heater	-6.3 Vdc	1.4 A	-6.0 Vdc	-6.6 Vdc	2 A
Helix					
with RF	Ground	7.0 mA	Ground	Ground	12 mA
without RF	Ground	0.7 mA	Ground	Ground	12 mA
Grid On	-14 Vdc	0.1 mA	125 Vdc	250 Vdc	10 mA
Grid Off	-250 Vdc	0.0 mA	-200 Vdc	-500 Vdc	1.0 mA
Cathode (Ek)	-10.45 kV	301 mA	-10.0 kV	-10.5 kV	325 mA
Collector w/RF					
Coll. #1	5.43 kV	80 mA	52% x Ek ±2%		100 mA
Coll. #2	3.76 kV	213.9 mA	36% x Ek ±2%		320 mA

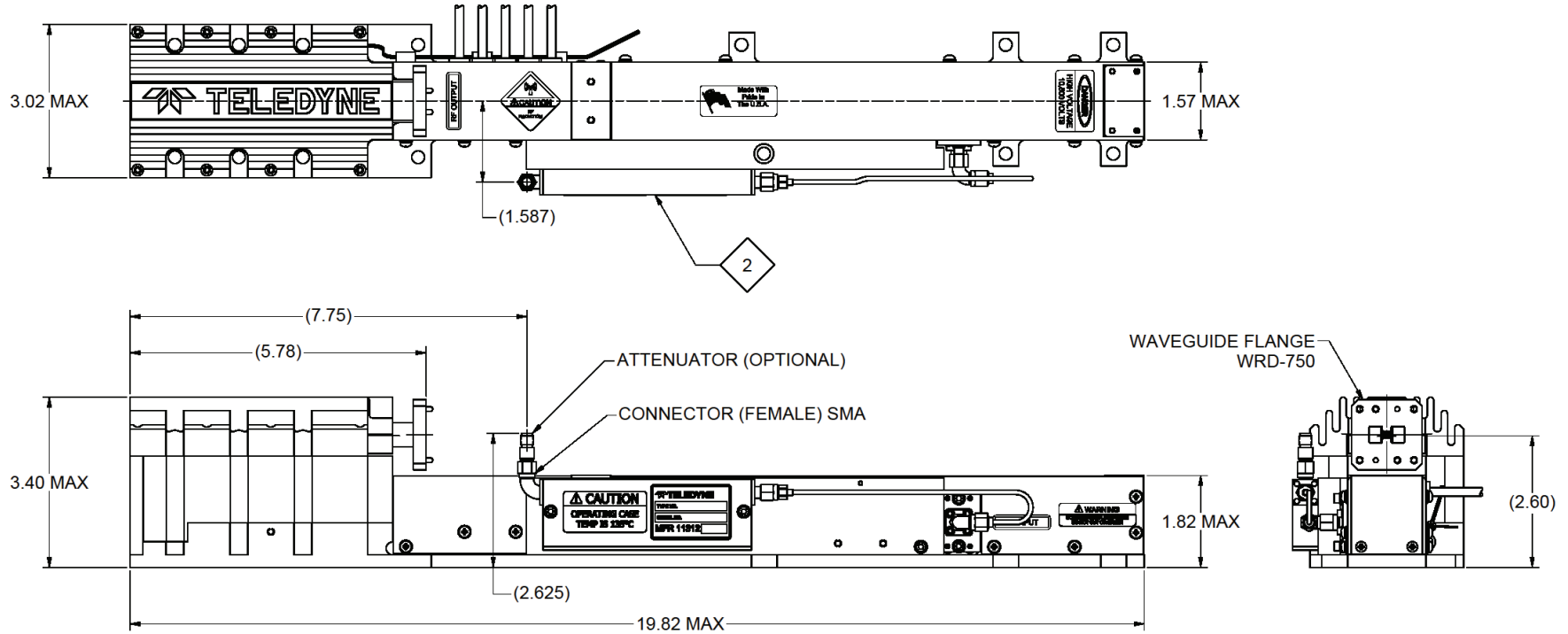
Performance	Typical	Spec
Input VSWR:.....	2.25:1	2.5:1
Output VSWR:.....	1.8:1	2.25:1
Max. Duty	-	CW
Grid Capacitance.....	50 pF	65 pF
Noise Power Density (dBm/MHz)	-19	-10
Prime Power	1300 W	1400W

Cathode voltage is measured with respect to ground.
Heater, Collector, and Grid voltages are measured with respect to Cathode.

This model number is subject to the jurisdiction of the U.S. Department of Commerce.

NOTES:

- 1. THERMOSTAT OPTIONS: N/C OR N/O
- 2. EQUALIZER OPTIONAL BASED UPON CUSTOMER REQUIREMENT.



SUBJECT TO CHANGE W/O NOTICE ISO 9001:2008 Registered

<p>TELEDYNE MICROWAVE SOLUTIONS TWT PRODUCTS 11361 Sunrise Park Dr., Rancho Cordova, CA (916) 630-3344</p>
<p>TITLE MEC 5487</p>

This model number is subject to the jurisdiction of the U.S. Department of Commerce.



Teledyne TWT Products • 11361 Sunrise Park Drive • Rancho Cordova, CA 95742 • 916.638.3344 • www.teledynemicrowave.com

8 GHz – 18 GHz Continuous Wave TWT • MEC 5487