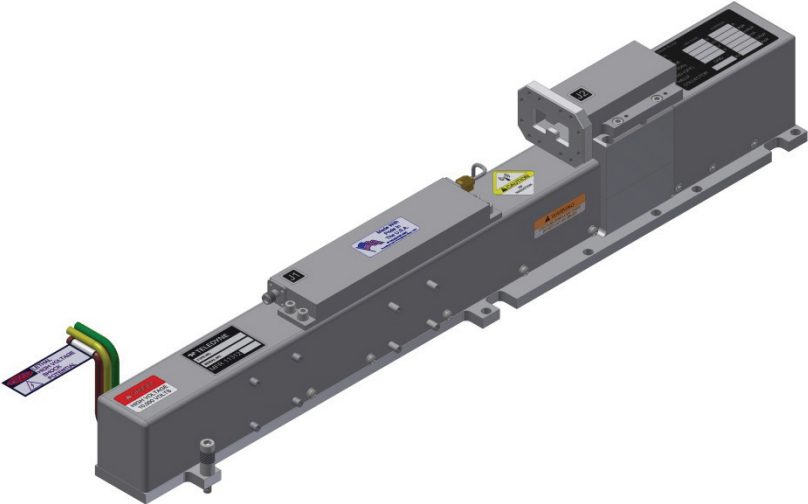


MEC 3096

Pulse TWT

5.0 GHz – 11.0 GHz

- 5% Maximum Duty
- 1780 W Minimum Power
- 5.0 to 11.0 GHz
- -40° to 85° C
- 570 W Typ. Prime Power @5%
- 37-38 dB Typical Gain
- 19" L x 2.48" W x 3.65" H (48.3 x 6.3 x 9.27 cm)
- Phase Match Available



RF Performance

Freq (GHz)	Typ. Sat. Power Output (W)	Min. Spec. Power Output (W)	Typ. Gain @ Spec. Power (dB)
5.0	2400	1780	38
6.0	2750	1780	38
7.0	2290	1780	38
8.0	2510	1780	38
9.0	2750	1780	38
10.0	2750	1780	38
11.0	2090	1780	37

Typical power output is shown to illustrate capability.
Typical gain shown is with equalizer.

Typical Operating Conditions Element	Voltage	Current	Power Supply Requirements		
			Voltage Min.	Voltage Max.	Current Max.
Heater	-6.3 Vdc	2.0 A	-5.985 Vdc	-6.615 Vdc	2.8 A
Helix					
with RF	Ground	270 mApk	Ground	Ground	500 mApk @ 5%
without RF	Ground	100 mApk	Ground	Ground	500 mApk @ 5%
Grid On	225 Vpk	0 mApk	100 Vpk	250 Vpk	10 mApk
Grid Off	-200 Vdc	0 mA	-200 Vdc	-200 Vdc	1.0 mA
Cathode (Ek)	-10.2 kV	1300 mApk	-10.2 kV	-11 kV	1300 mApk
Collector					
w/RF	8.16kV	1030 mApk	80% x Ek ±2%		800-1200 mApk
w/o RF	8.16 kV	1200 mApk	80% x Ek ±2%		1300 mApk

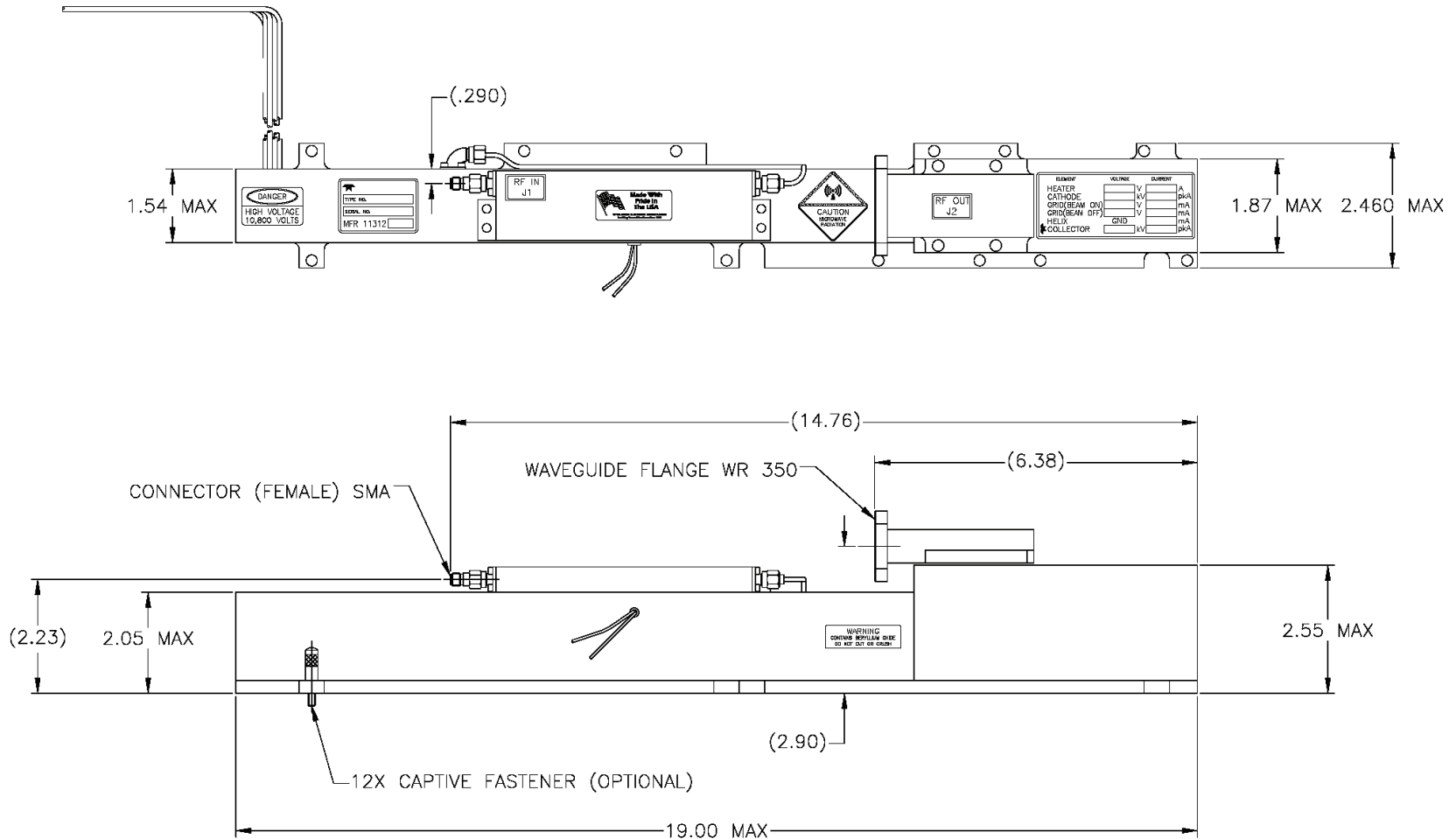
Performance	Typical	Spec
Input VSWR.....	1.8:1	2.0:1
Output VSWR.....	1.8:1	2.0:1
Max. Duty	5%	5%
Max. Pulsewidth	—	100 μs
Grid Capacitance.....	48 pF	50 pF max.
Min. Harmonic Separation	-5.5 dBc	-3 dBc max.
Noise Power Density (dBm/MHz)	-19.5	.0
Prime Power	570 W	1000 W

Cathode voltage is measured with respect to ground.
Heater, Collector, and Grid voltages are measured with respect to Cathode.

This model number is controlled by the International Traffic in Arms Regulations, and can only be exported via a U.S. Department of State export license. They may not be transferred, transshipped on a non-continuous voyage, or otherwise be disposed of in any other country, either in their original form or after being incorporated into other end-items, without the prior written approval of the U.S. Department of State.

NOTES:

1. THERMOSTAT OPTIONS: N/C OR N/O



TELEDYNE MICROWAVE SOLUTIONS
TWT Products
11361 Sunrise Park Dr., Rancho Cordova, CA (916) 638-3344

TITLE
MEC 3096

SUBJECT TO CHANGE W/O NOTICE ISO 9001:2008 Registered

This model number is controlled by the International Traffic in Arms Regulations, and can only be exported via a U.S. Department of State export license. They may not be transferred, transshipped on a non-continuous voyage, or otherwise be disposed of in any other country, either in their original form or after being incorporated into other end-items, without the prior written approval of the U.S. Department of State.