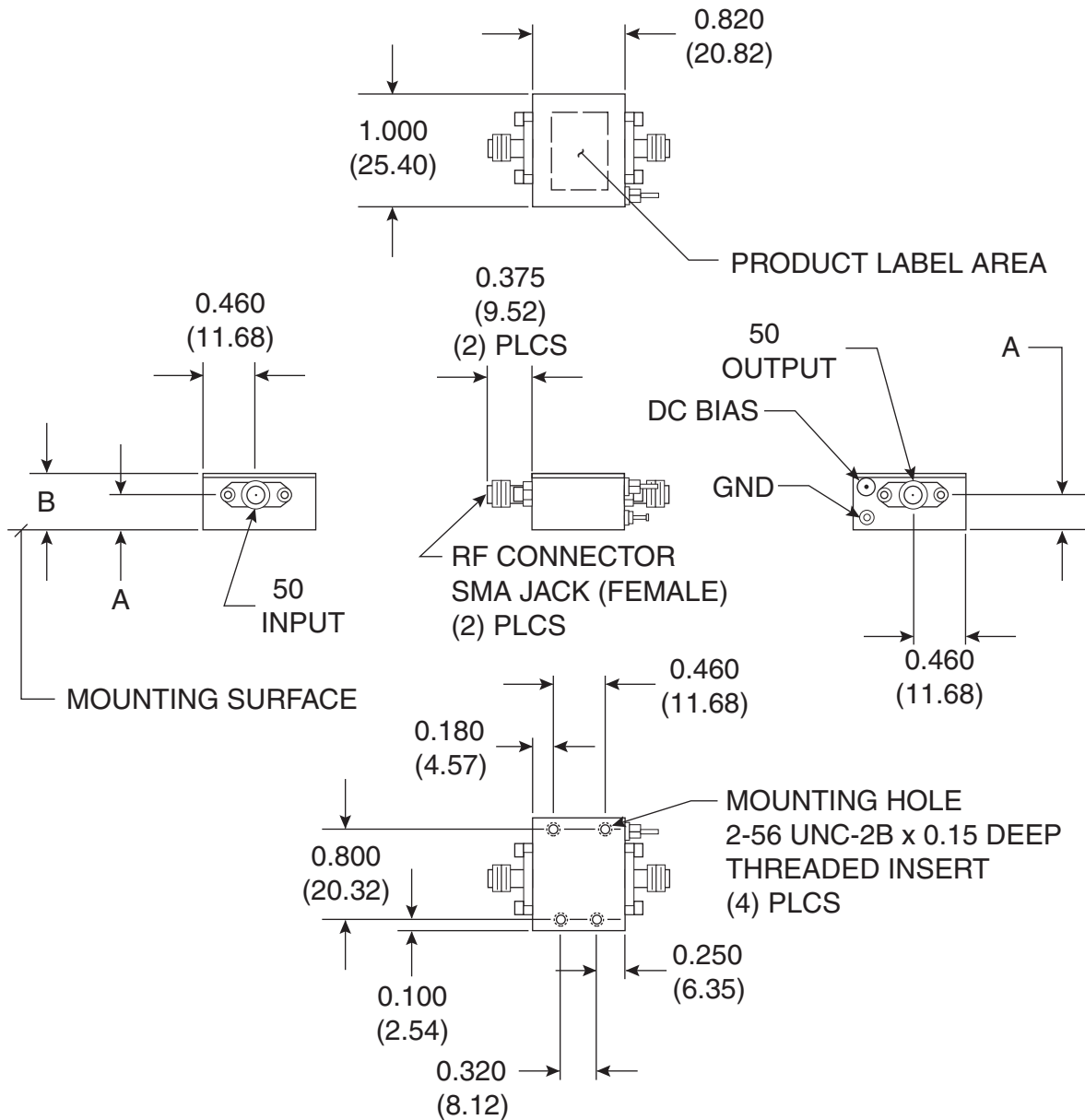


TO-8, TO-8H Amplifier SMA Case



PACKAGE	DIM. A	DIM. B
TO-8	0.310 (7.87)	0.500 (12.70)
TO-8H	0.375 (9.53)	0.565 (14.35)

