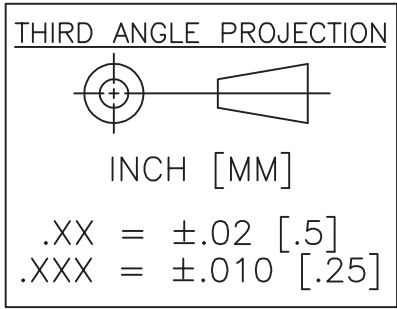
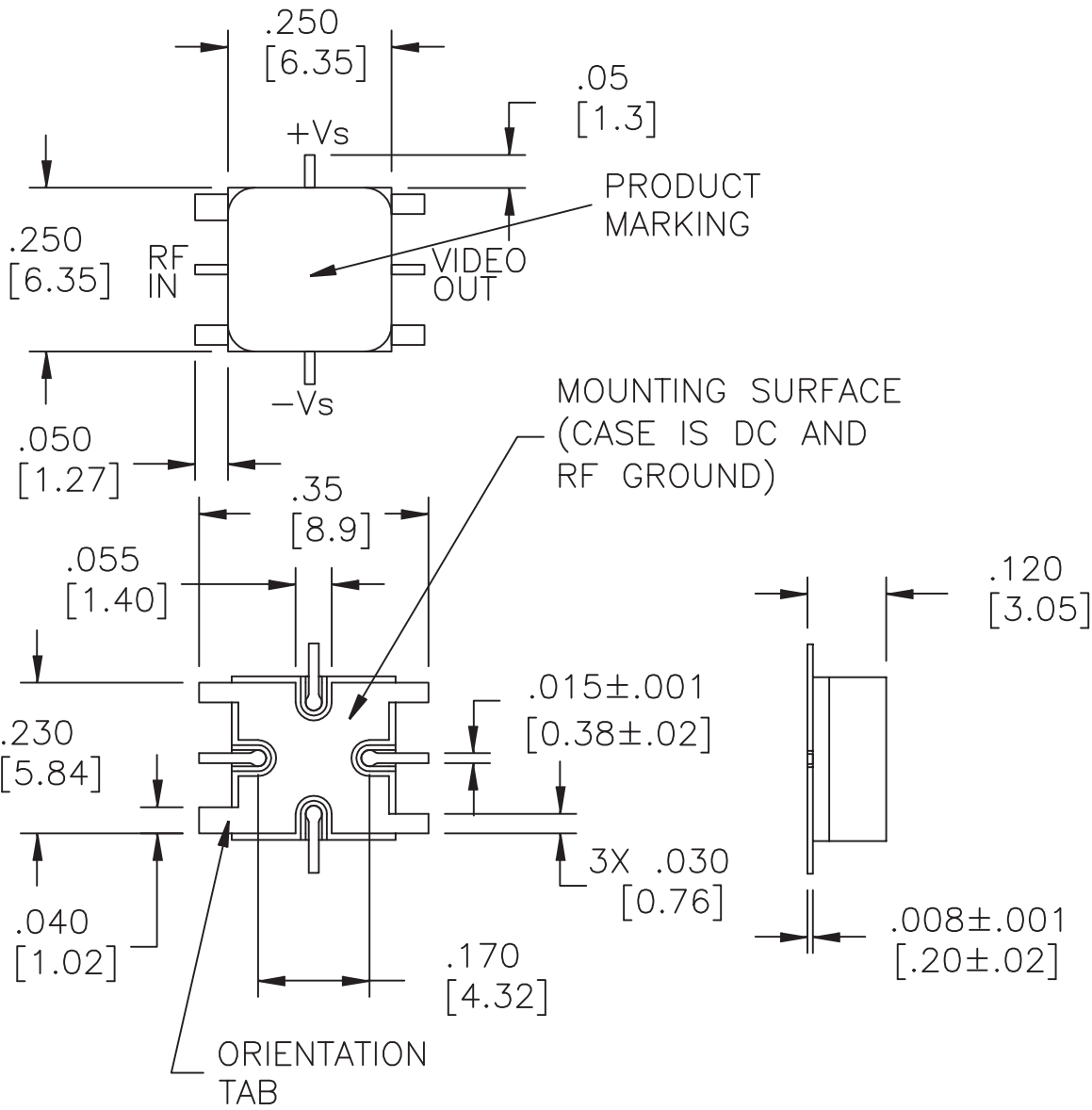
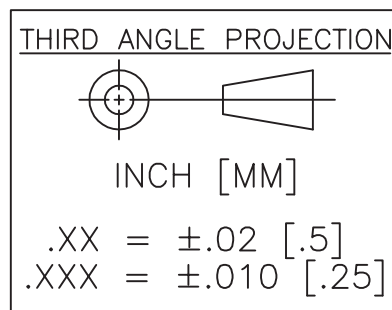
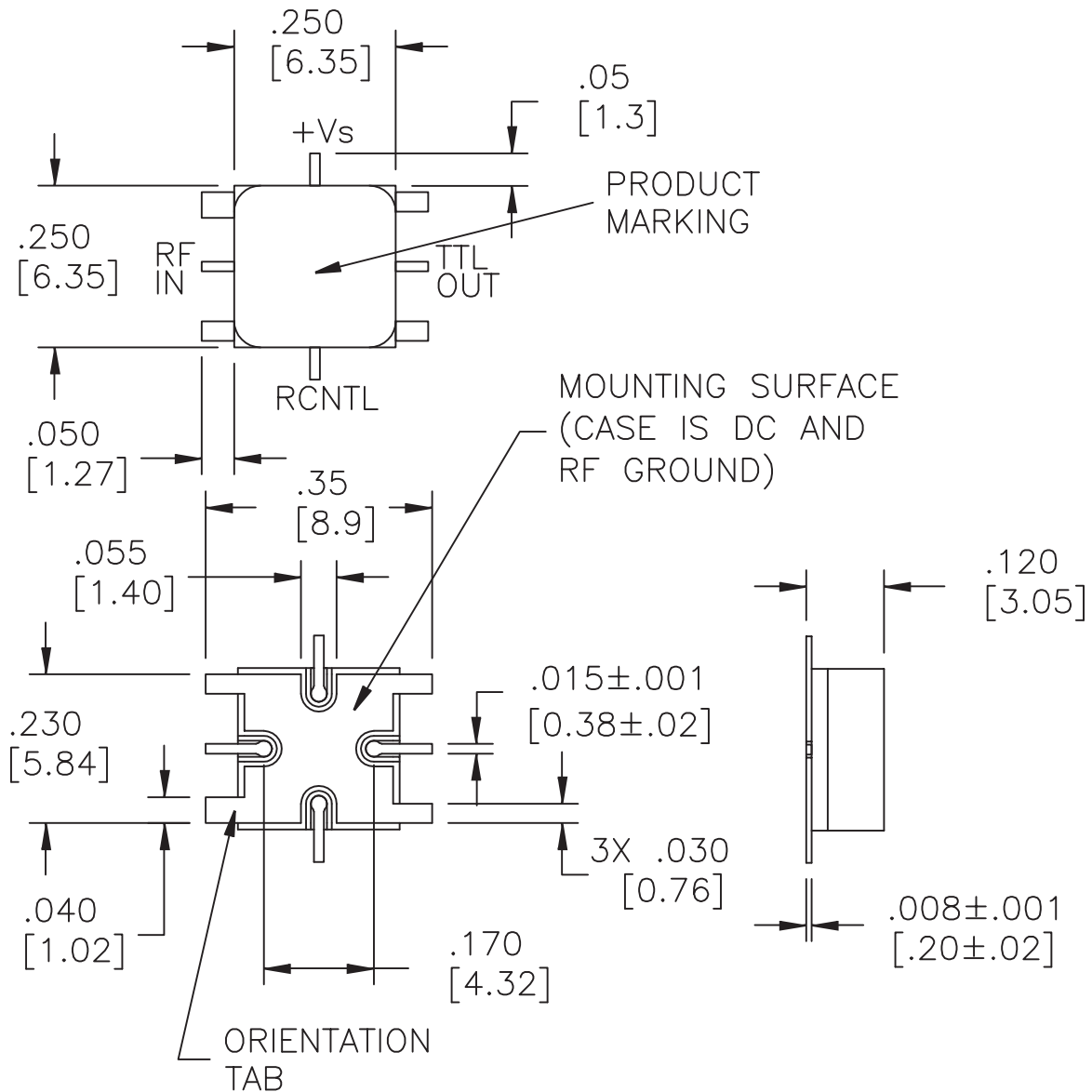


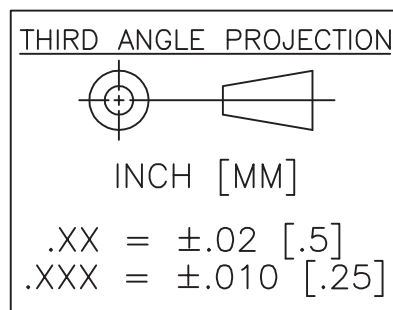
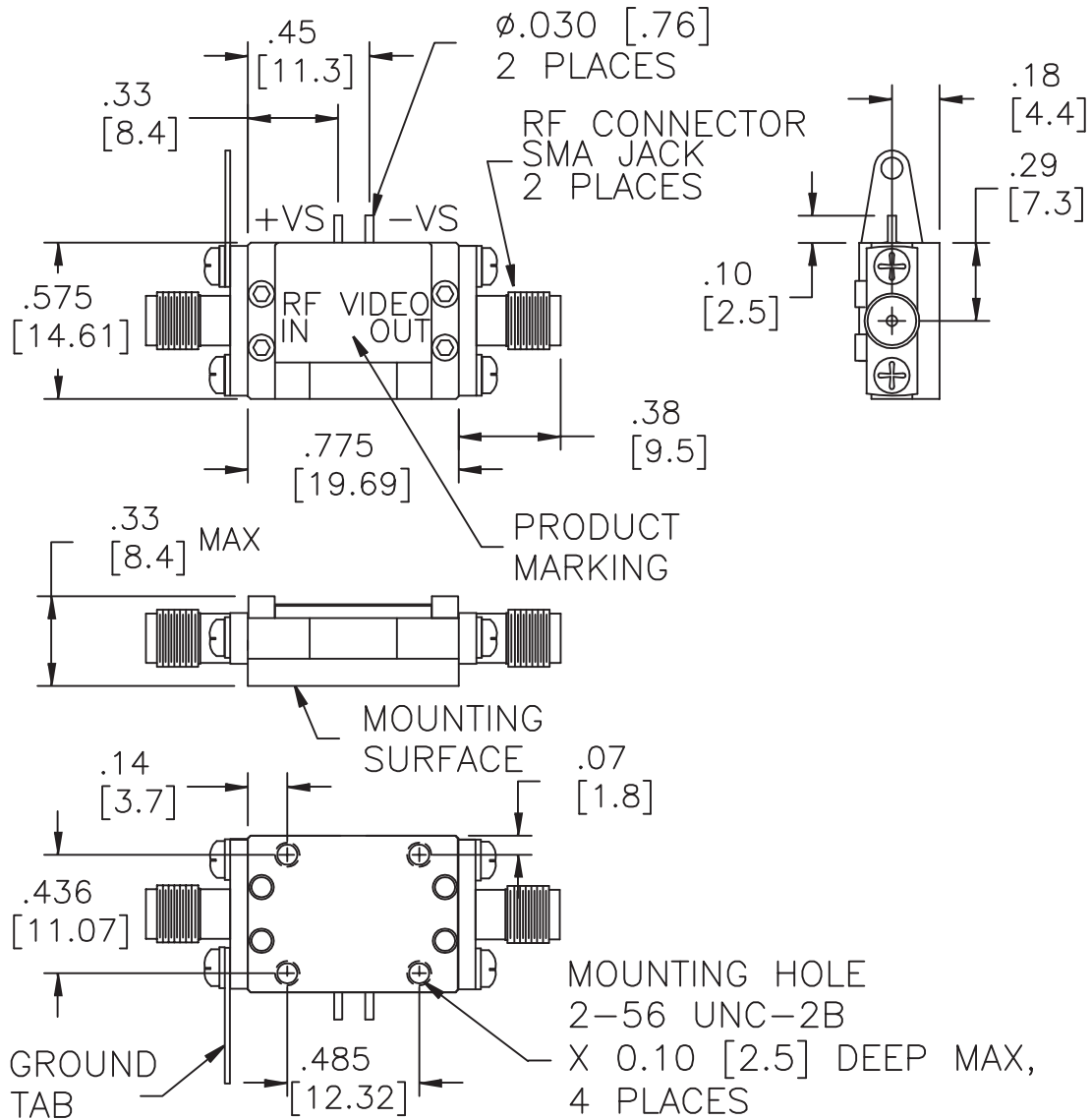
0.25 Inch SMT0-8 Analog Detector Package



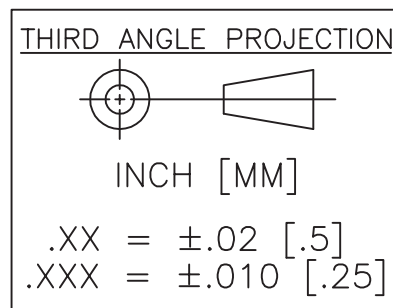
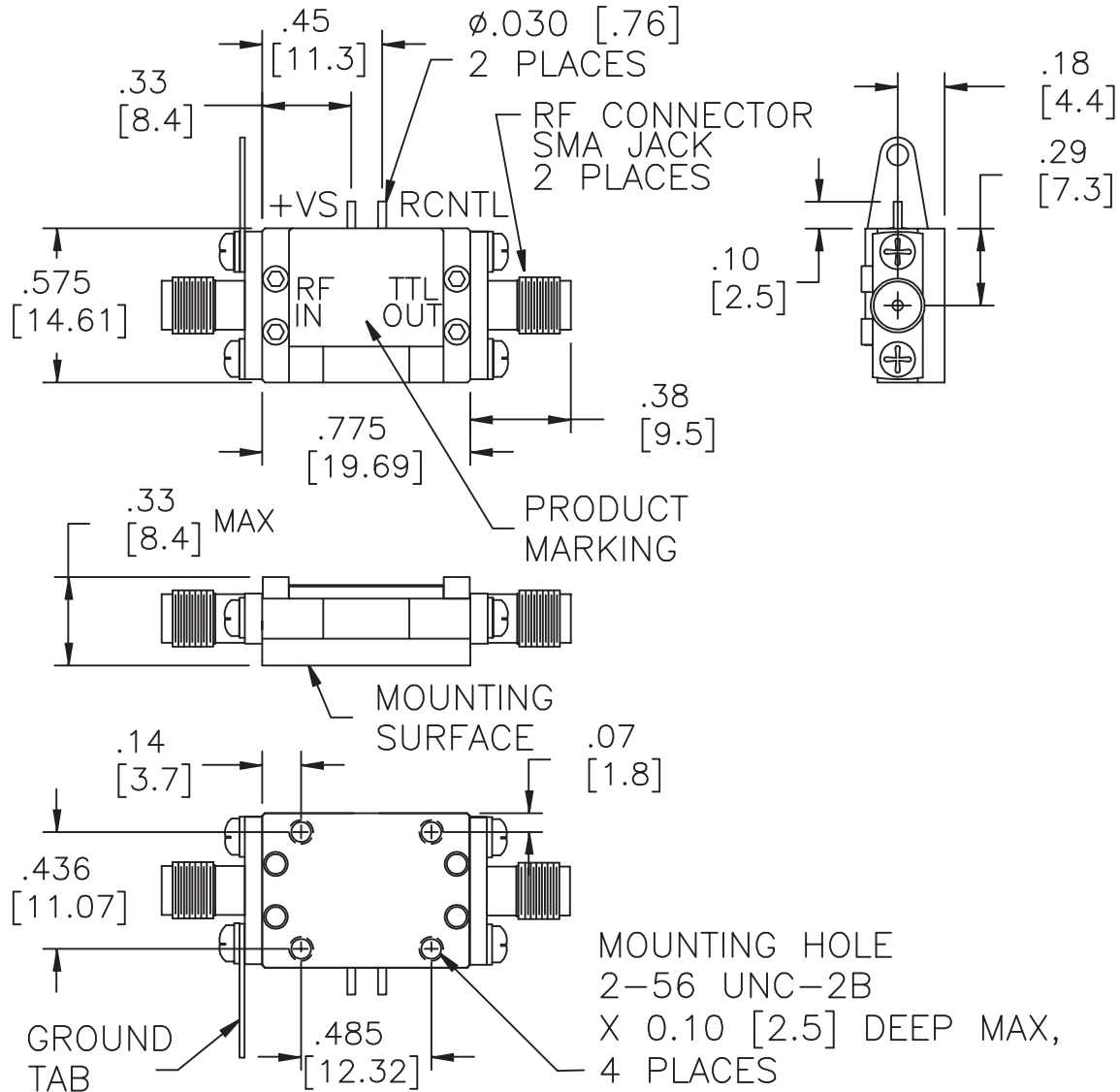
0.25 Inch SMT0-8 Threshold Detector Package



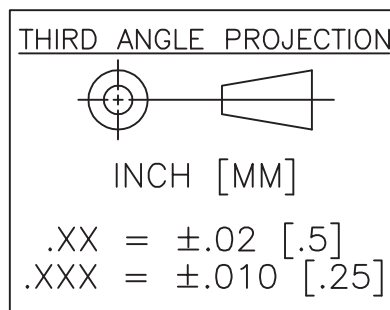
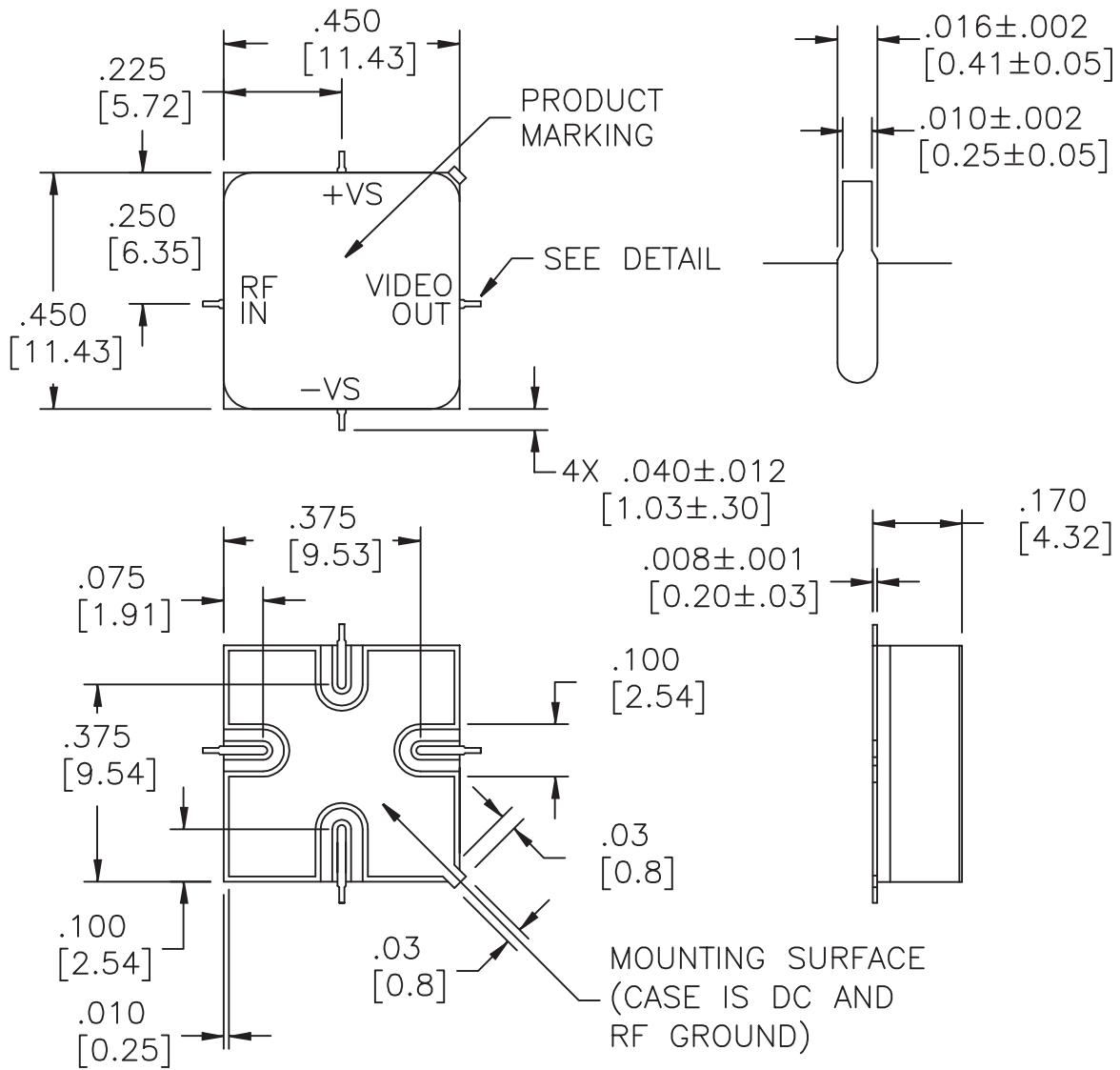
High Frequency CougarPak™ (SMA) for Analog Detectors *(single-stage)*



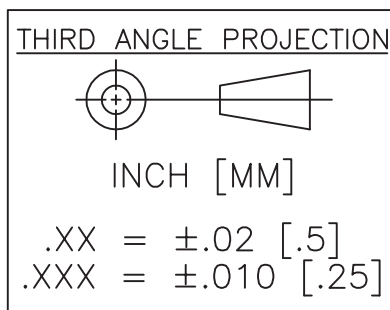
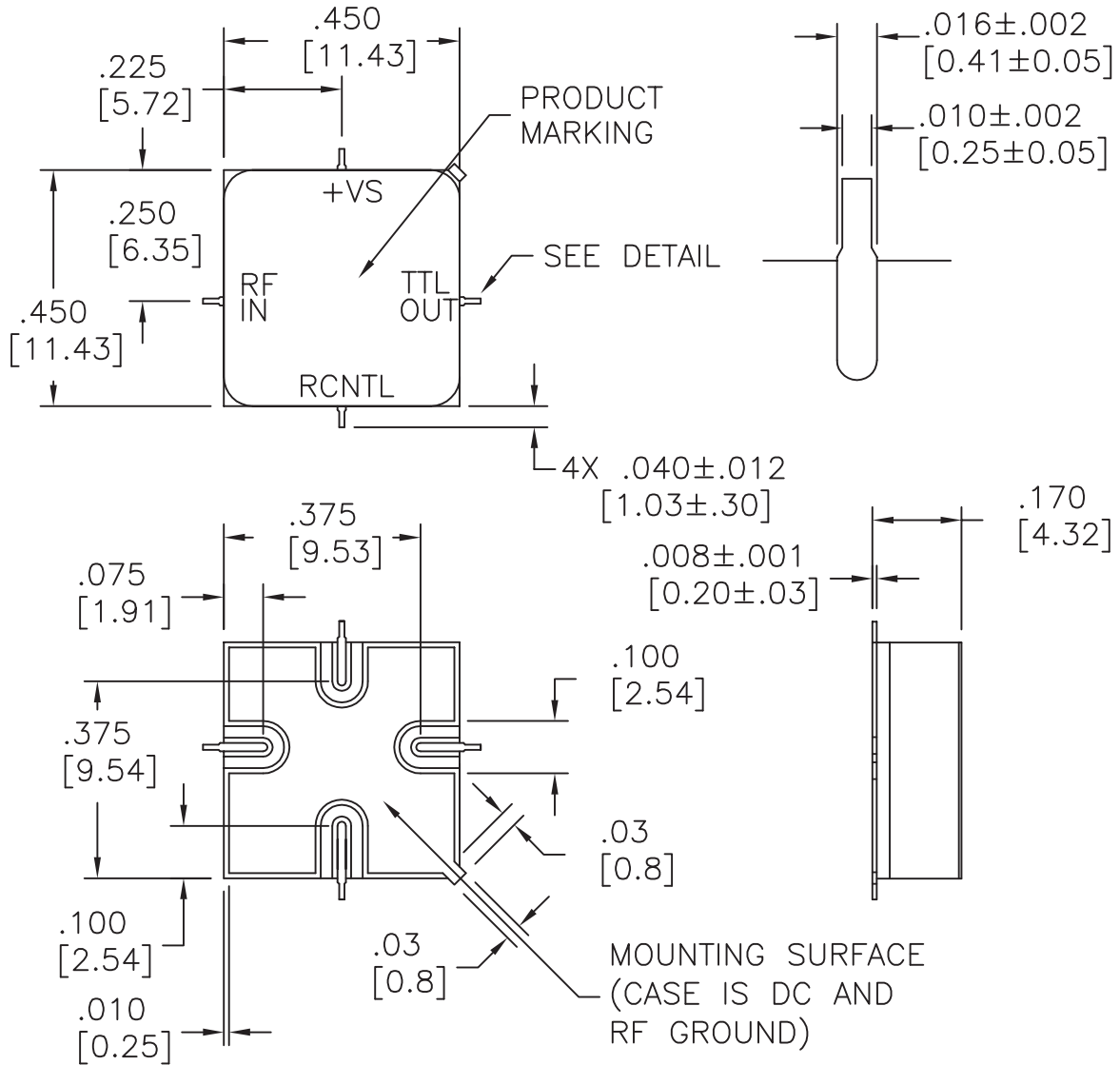
High Frequency CougarPak™ (SMA) for Threshold Detectors *(single-stage)*



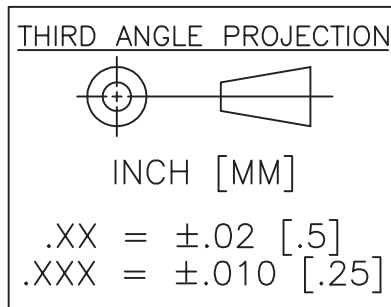
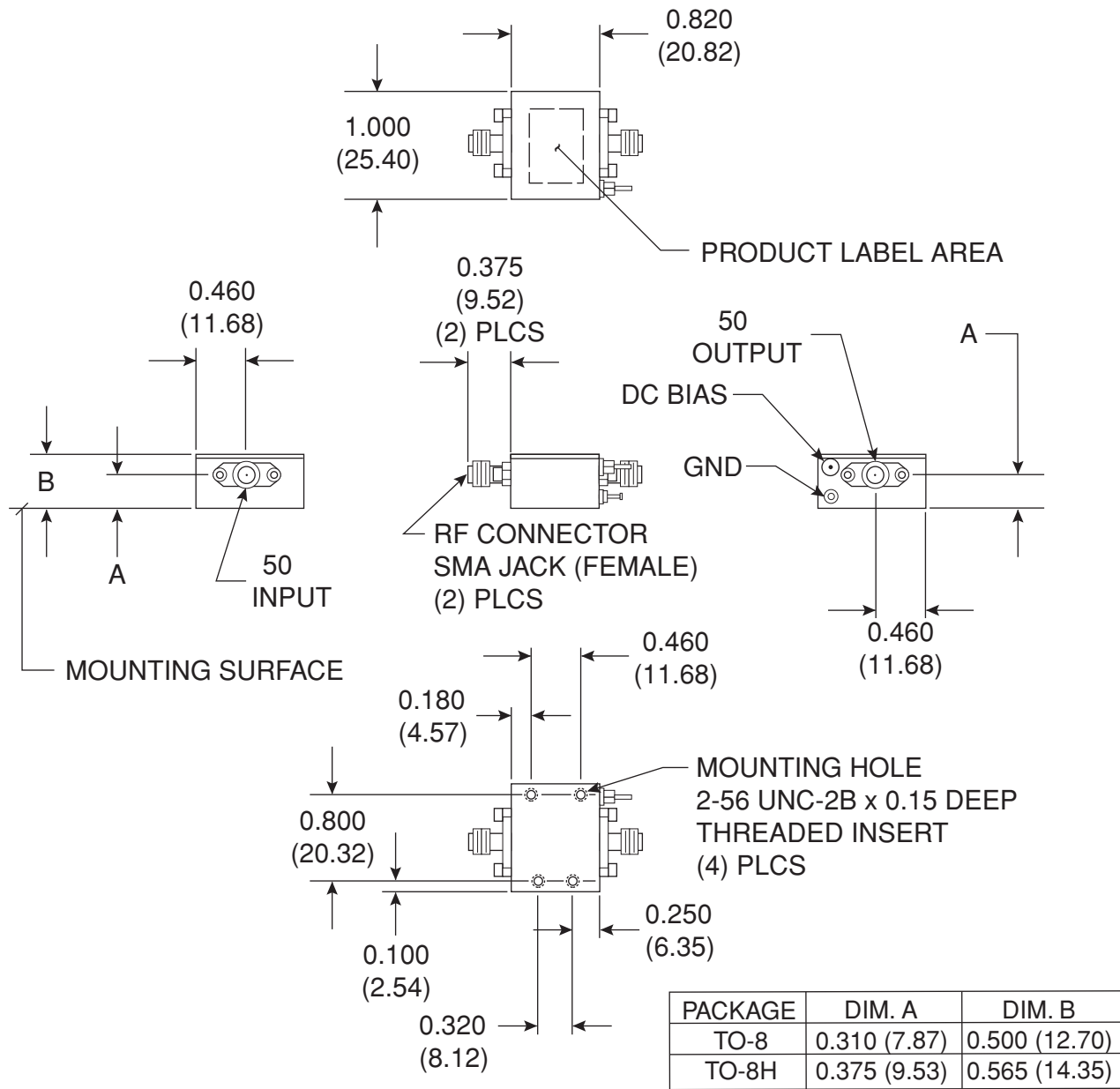
SMT0-8 Analog Detector Package



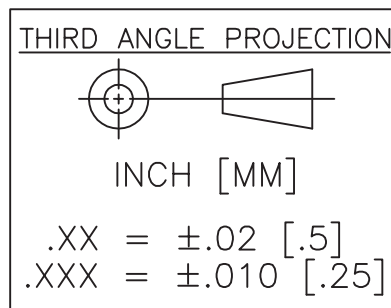
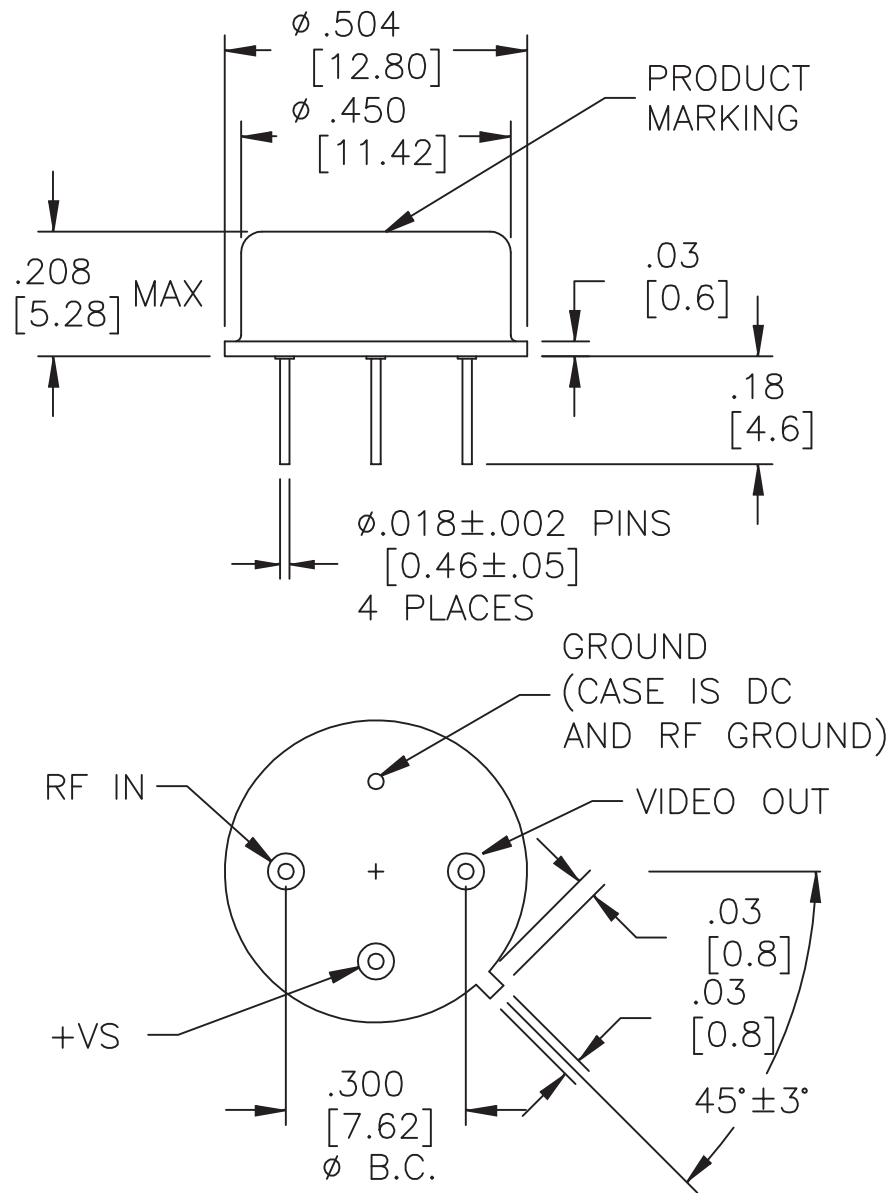
SMT0-8 Threshold Detector Package



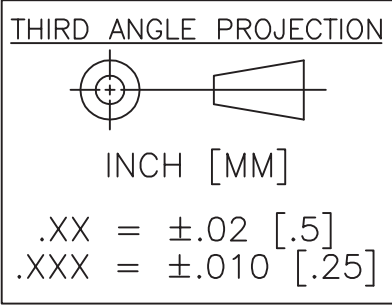
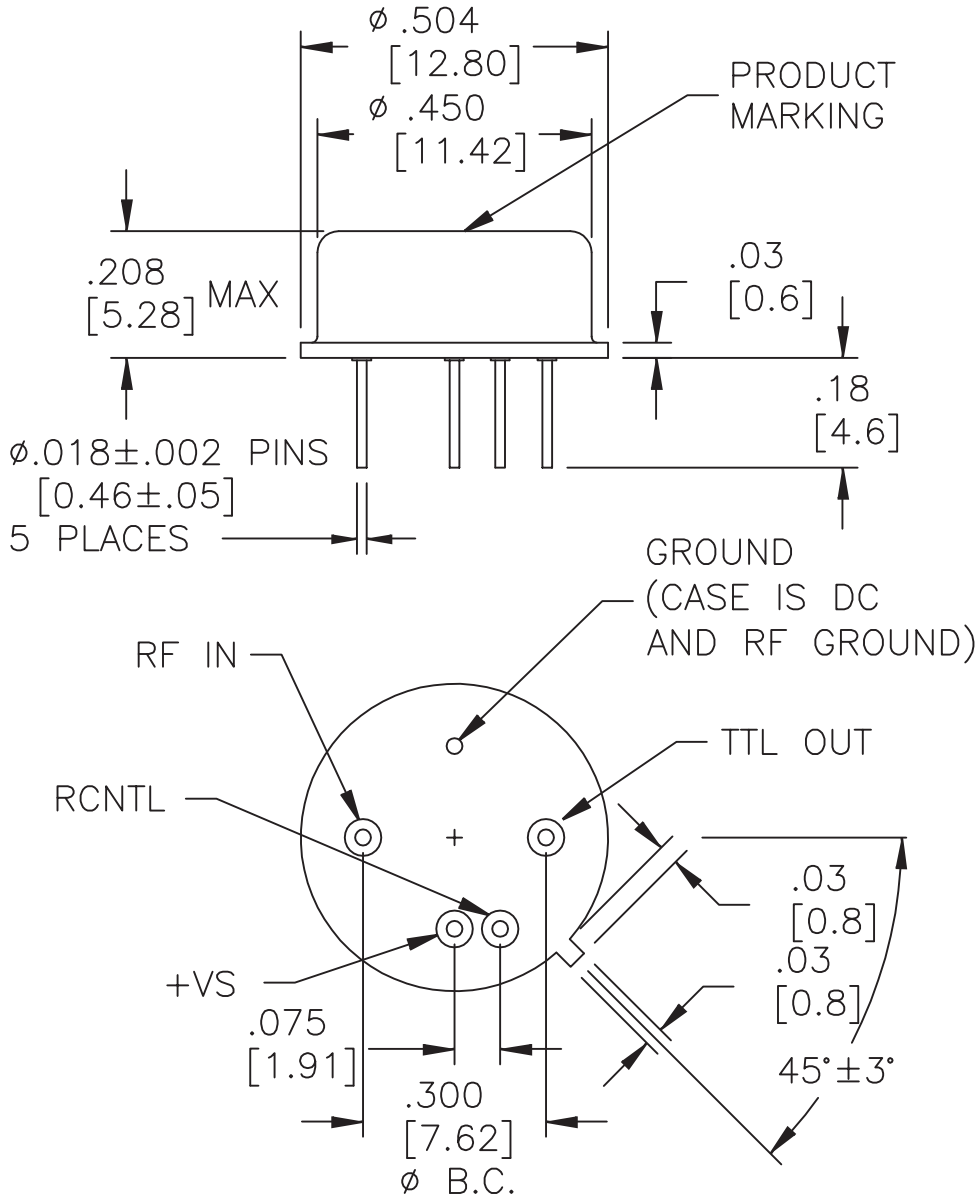
TO-8, TO-8H Amplifier SMA Case



TO-8 Analog Detector Package



TO-8 Detector Package



TO-8 Threshold Detector SMA Case

