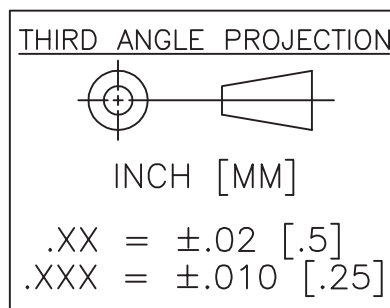
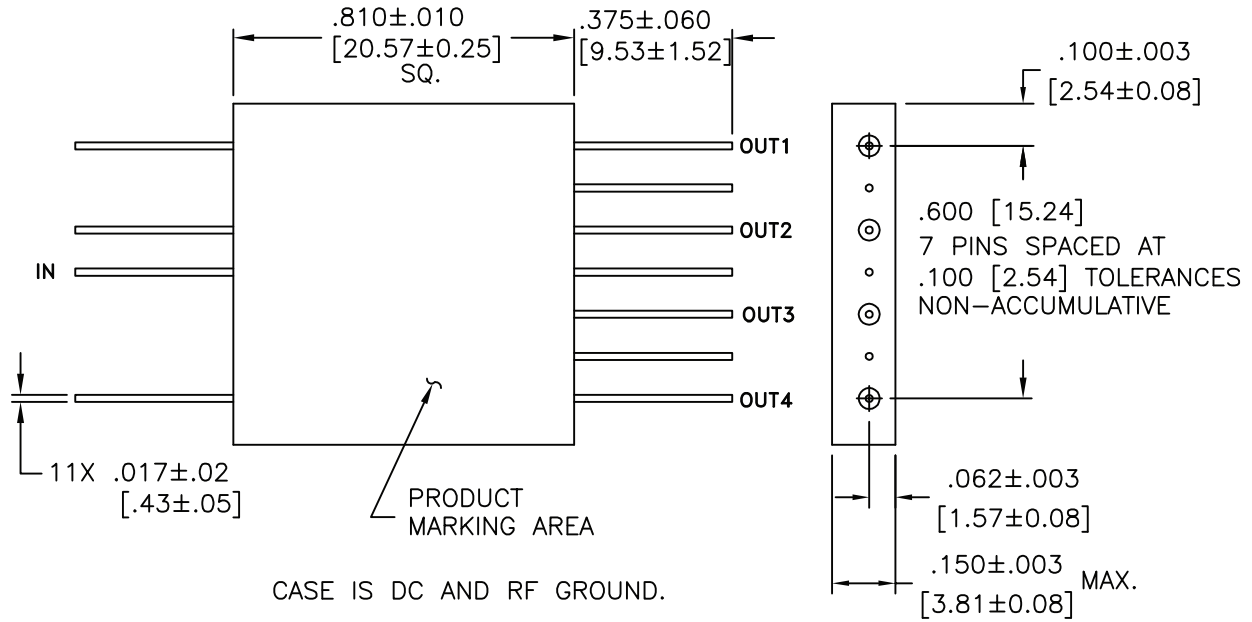
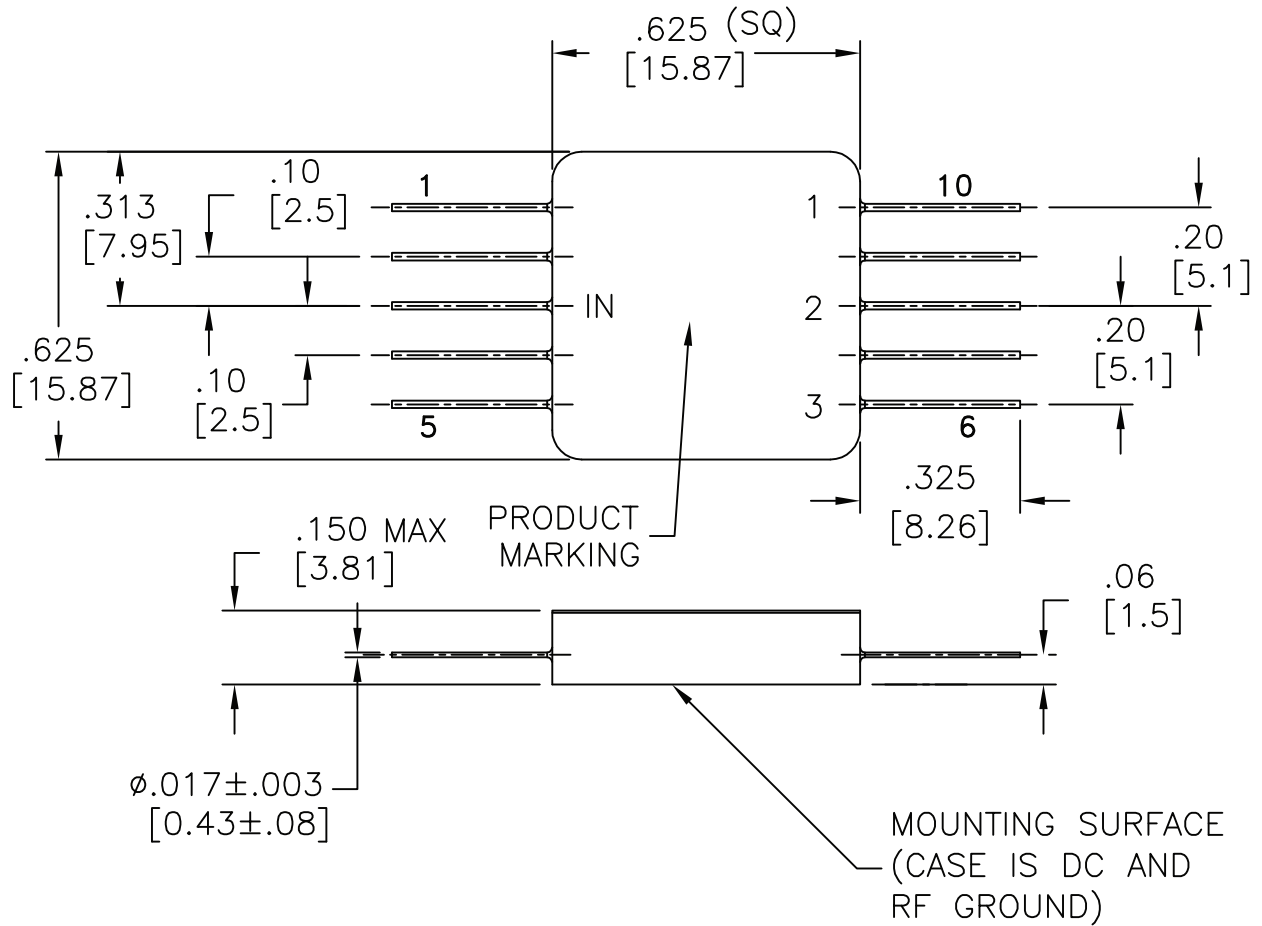


# Flatpack 4-Way Power Divider

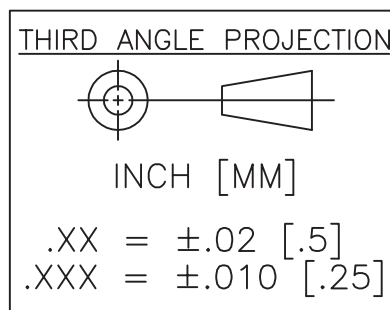


# Flatpack Power Divider

## (10-pin Gullwing)



PIN 1, 2, 4, 5, 7, AND 9 ARE GROUND.



# SM Two-Way Power Divider

