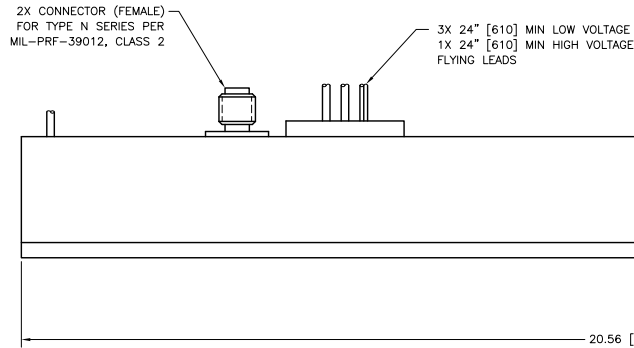
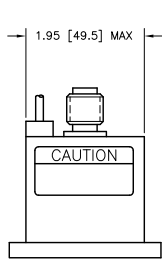
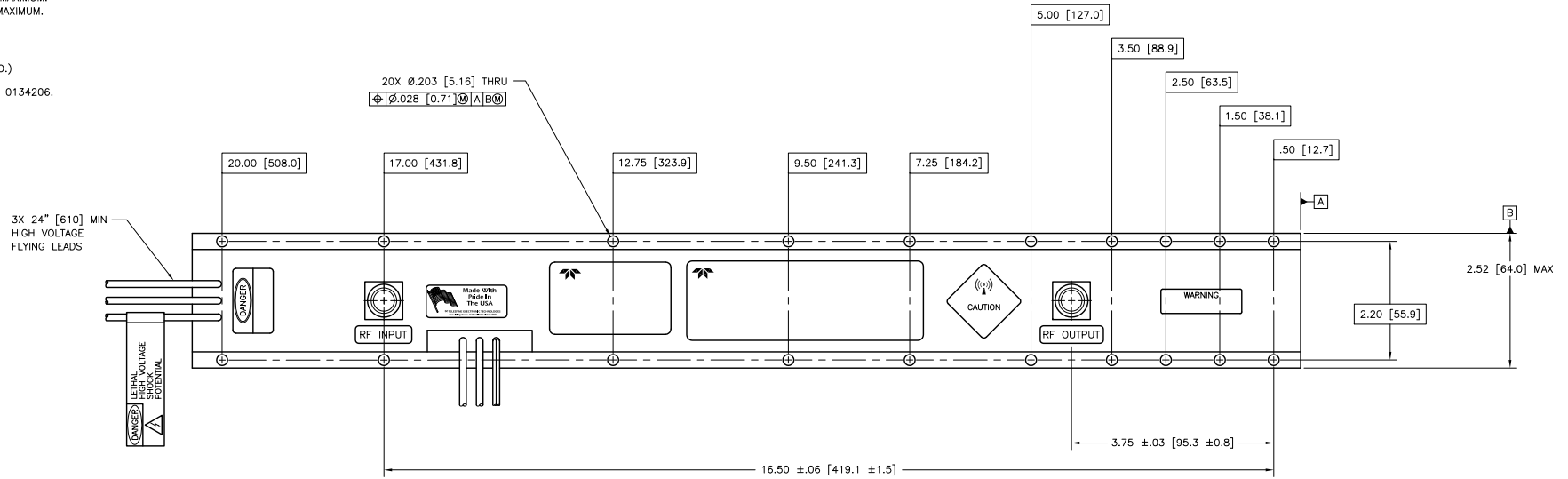


NOTES:

1. FEATURES SUCH AS TAPPED HOLES, SCREW HEADS AND COVER DETAILS ARE OMITTED FOR CLARITY.
2. WEIGHT: 9.0 Lbs MAXIMUM.
4.1 Kg MAXIMUM.
- 3 ANODE = BLUE
GRID = GREEN
- 4 OPTIONAL (N.C./N.O.)
5. REFER TO OUTLINE 0134206.



HIGH VOLTAGE CONNECTIONS	
FUNCTION	COLOR
HEATER	BROWN
CATHODE	YELLOW
CONTROL ELECTRODE	
COLLECTOR	RED

3

LOW VOLTAGE CONNECTIONS	
FUNCTION	COLOR
HELIX/GROUND	BLACK
THERMOSTAT (2 WIRES)	GRAY

4

SUBJECT TO CHANGE W/O NOTICE

ISO 9001:2000 Registered

DO NOT SCALE DRAWING
UNLESS OTHERWISE NOTED
DIMENSIONS ARE IN INCHES
TOLERANCES ON
DECIMALS ANGLES
.XX ±.02 .XXX ±.005 ±2°
REMOVE ALL BURRS AND
SHARP EDGES
SURFACE ROUGHNESS PER
ASA B46.1
DIM AND TOL -W-
ASME Y14.5M - 1994

TELEDYNE MEC
11361 Sunrise Park Dr., Rancho Cordova, CA (916) 638-3344

TITLE
**OUTLINE DRAWING
M5889NO
MEC 5889 (GRID)**