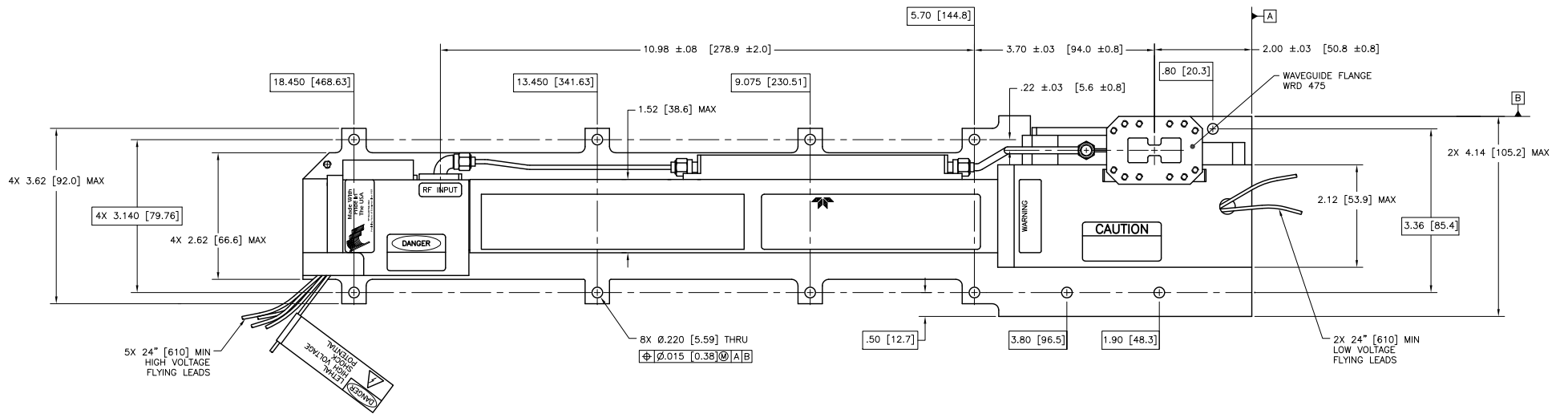
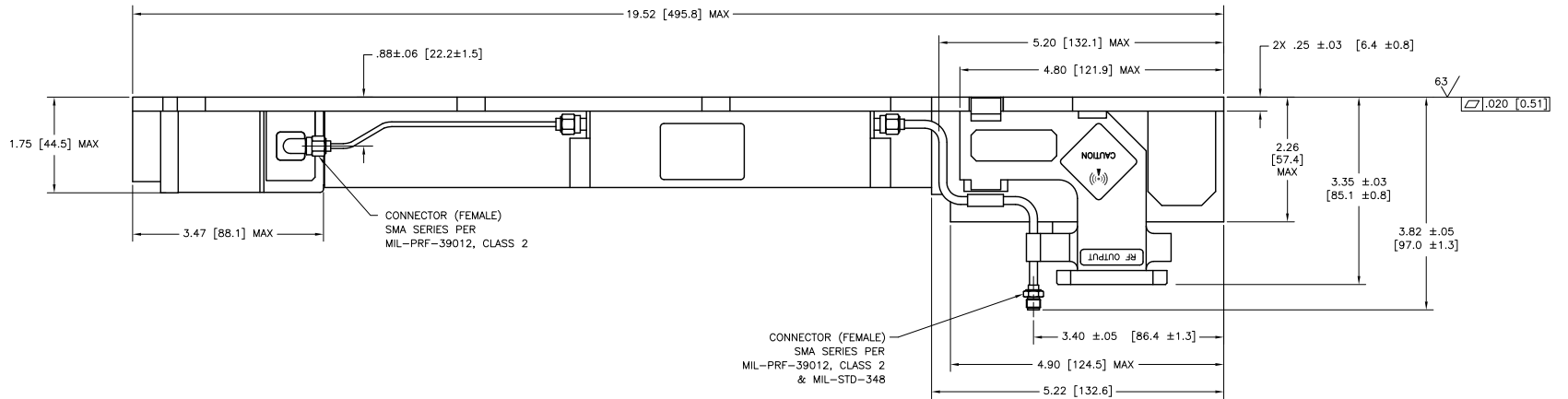


NOTES:

1. FEATURES SUCH AS TAPPED HOLES, SCREW HEADS AND COVER DETAILS ARE OMITTED FOR CLARITY.
2. WEIGHT: 8.0 Lbs MAXIMUM.
3.6 Kg MAXIMUM.
3. REFER TO OUTLINE 0145159.



HIGH VOLTAGE CONNECTIONS

FUNCTION	COLOR
HEATER	BROWN
HEATER/CATHODE	YELLOW
COLLECTOR #1	RED
COLLECTOR #2	WHITE
CONTROL ELECTRODE	GREEN

LOW VOLTAGE CONNECTIONS

FUNCTION	COLOR
HEATER	BROWN
HEATER/CATHODE	YELLOW
COLLECTOR #1	RED
COLLECTOR #2	WHITE
CONTROL ELECTRODE	GREEN
HEXIL/GROUND	BLACK
THERMOSTAT (N.C.)	WHITE

SUBJECT TO CHANGE W/O NOTICE

ISO 9001:2000 Registered

DO NOT SCALE DRAWING
UNLESS OTHERWISE NOTED
DIMENSIONS ARE IN INCHES
TOLERANCES ON
DECIMALS ANGLES
.XX ±.02 .XXX ±.005 ±.2°
REMOVE ALL BURRS AND
SHARP EDGES
SURFACE ROUGHNESS PER
ASA B46.1
DIM AND TOL. IN
ASME Y14.5M - 1994

TELEDYNE MEC
11361 Sunrise Park Dr., Rancho Cordova, CA (916) 838-3344

TITLE
**OUTLINE DRAWING
MTG 5130**