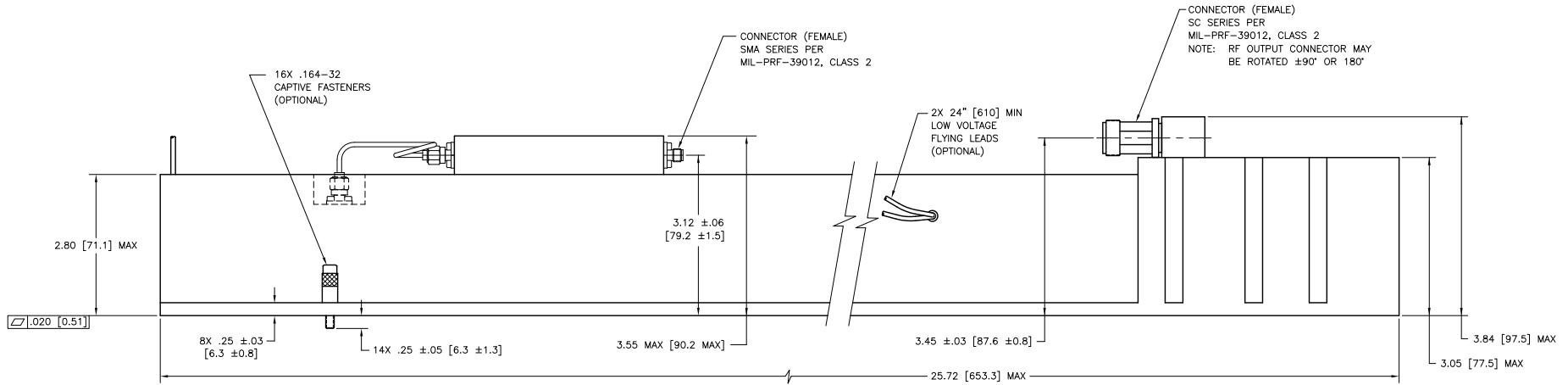
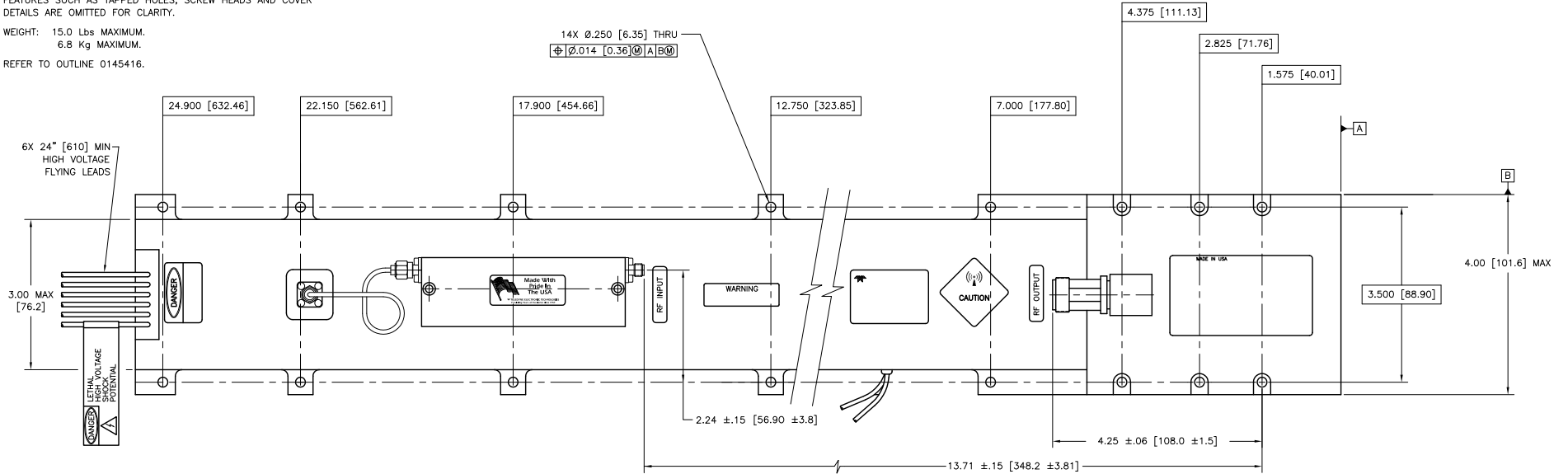


NOTES:

1. FEATURES SUCH AS TAPPED HOLES, SCREW HEADS AND COVER DETAILS ARE OMITTED FOR CLARITY.
2. WEIGHT: 15.0 Lbs MAXIMUM.
6.8 Kg MAXIMUM.
3. REFER TO OUTLINE 0145416.



HIGH VOLTAGE CONNECTIONS

FUNCTION	COLOR
HEATER	BROWN
CATHODE	YELLOW
GRID	GREEN
COLLECTOR #1	RED
COLLECTOR #2	WHITE
COLLECTOR #3	BLUE

LOW VOLTAGE CONNECTIONS

FUNCTION	COLOR
HELIX/GROUND	BLACK
THERMOSTAT (N.C.)	GRAY

SUBJECT TO CHANGE W/O NOTICE

ISO 9001:2000 Registered

DO NOT SCALE DRAWING
UNLESS OTHERWISE NOTED
DIMENSIONS ARE IN INCHES
TOLERANCES ON
DECIMALS ANGLES
XX ±.02 XXX ±.005 ±2°
REMOVE ALL BURRS AND
SHARP EDGES
SURFACE ROUGHNESS PER
ASA B46.1
DIM AND TOL. W/ ASME Y14.5M - 1994

TELEDYNE MEC
11361 Sunrise Park Dr., Rancho Cordova, CA (916) 638-3344

TITLE
**OUTLINE DRAWING
MEC 3102**