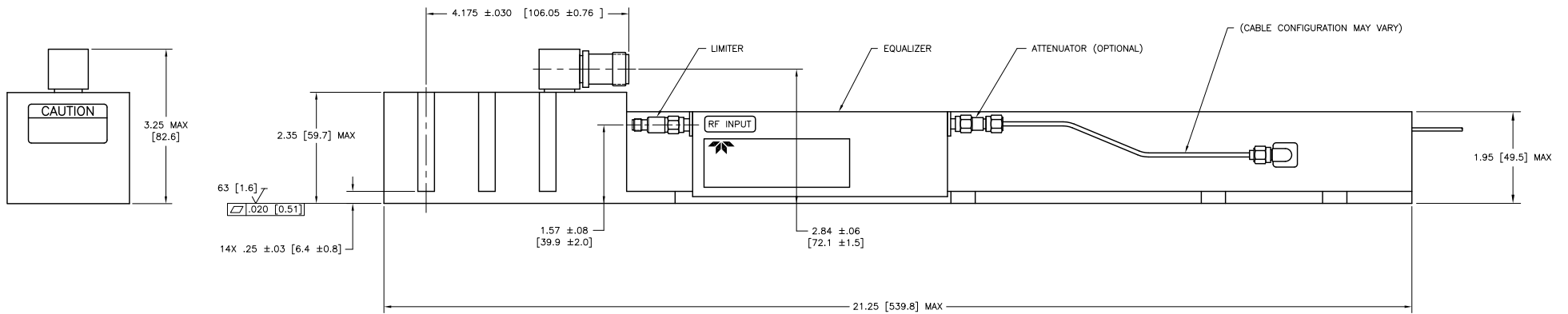
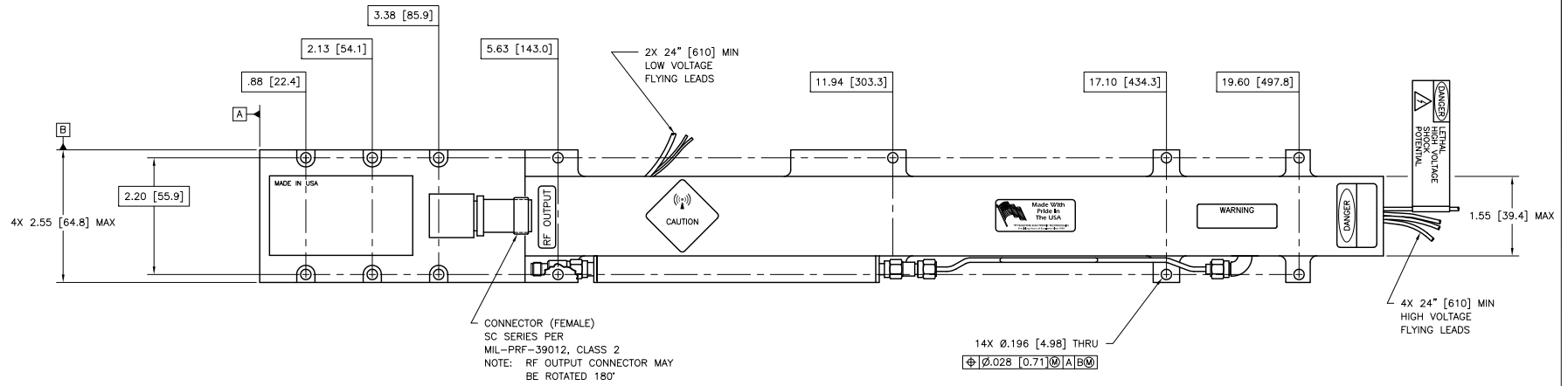


NOTES:

1. FEATURES SUCH AS TAPPED HOLES, SCREW HEADS AND COVER DETAILS ARE OMITTED FOR CLARITY.
2. WEIGHT: 8.0 Lbs MAXIMUM.
3.6 Kg MAXIMUM.
3. REFER TO OUTLINE 0128672.



HIGH VOLTAGE CONNECTIONS	
FUNCTION	COLOR
HEATER	BROWN
CATHODE	YELLOW
GRID	GREEN
COLLECTOR	RED

LOW VOLTAGE CONNECTIONS	
FUNCTION	COLOR
HELIX/GROUND	BLACK
THERMOSTAT (N.C.)	TWIN GRAY

SUBJECT TO CHANGE W/O NOTICE

ISO 9001:2000 Registered

DO NOT SCALE DRAWING
UNLESS OTHERWISE NOTED
DIMENSIONS ARE IN INCHES
TOLERANCES ON
DECIMALS ANGLES
.XX ±.02 .XXX ±.005 ±2°
REMOVE ALL BURRS AND
SHARP EDGES
SURFACE ROUGHNESS PER
ASME B46.1
DIM AND TOL W/ ASME Y14.5M - 1994

TELEDYNE MEC
11561 Sunrise Park Dr., Rancho Cordova, CA (916) 638-3344

TITLE
**OUTLINE DRAWING
MTG 3041L2**