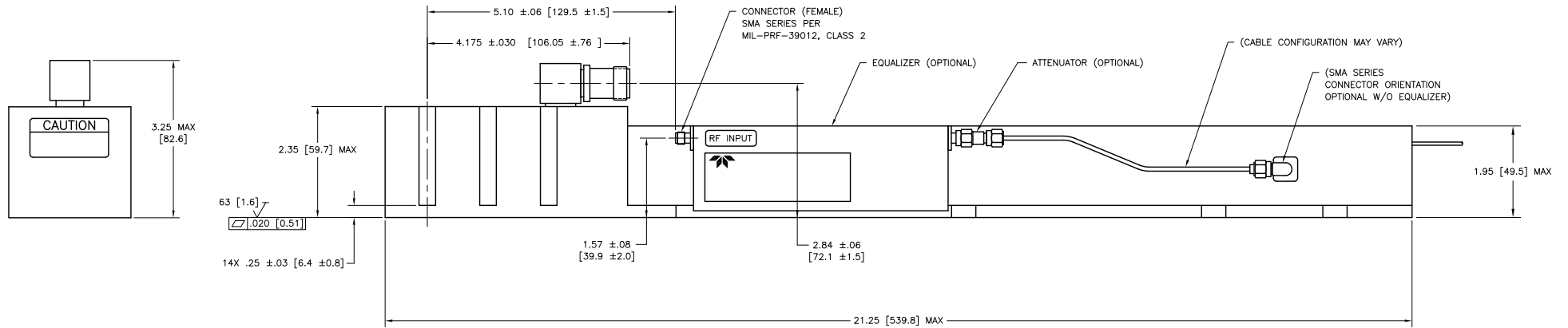
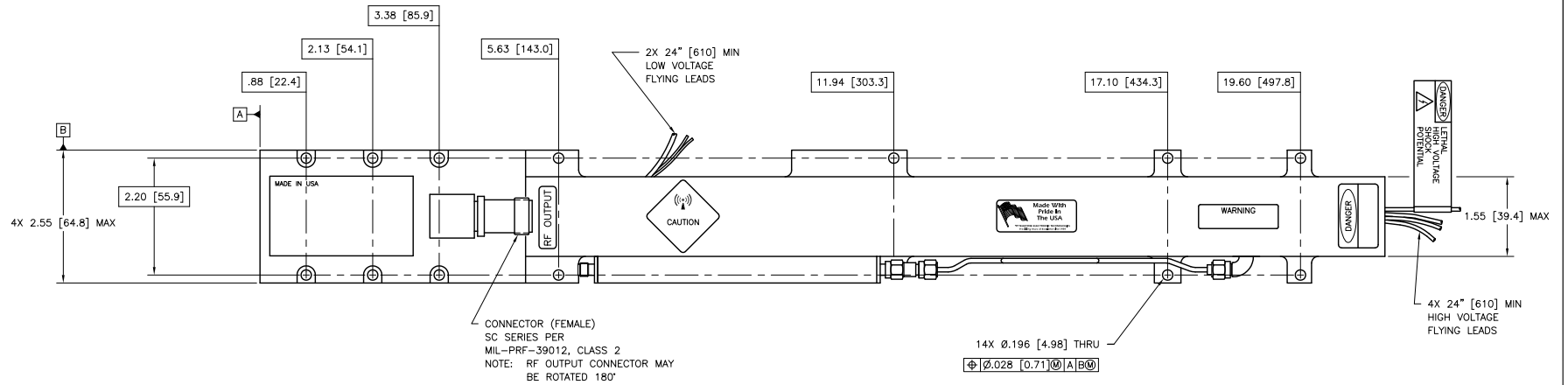


NOTES:

1. FEATURES SUCH AS TAPPED HOLES, SCREW HEADS AND COVER DETAILS ARE OMITTED FOR CLARITY.
2. WEIGHT: 8.0 Lbs MAXIMUM.
3.6 Kg MAXIMUM.
3. REFER TO OUTLINE 0128672.



| HIGH VOLTAGE CONNECTIONS | |
|--------------------------|--------|
| FUNCTION | COLOR |
| HEATER | BROWN |
| CATHODE | YELLOW |
| GRID | GREEN |
| COLLECTOR | RED |

| LOW VOLTAGE CONNECTIONS | |
|-------------------------|-----------|
| FUNCTION | COLOR |
| HELIX/GROUND | BLACK |
| THERMOSTAT (N.C.) | TWIN GRAY |

| | |
|--|--|
| DO NOT SCALE DRAWING UNLESS OTHERWISE NOTED DIMENSIONS ARE IN INCHES TOLERANCES ON DECIMALS ANGLES .XX ±.02 .XXX ±.005 ±2° REMOVE ALL BURRS AND SHARP EDGES SURFACE ROUGHNESS PER ASA B46.1 DIM AND TOL W/ ASME Y14.5M - 1994 | TELEDYNE MEC 11561 Sunrise Park Dr., Rancho Cordova, CA (916) 638-3344 TITLE OUTLINE DRAWING MTG 3041K |
|--|--|

SUBJECT TO CHANGE W/O NOTICE

ISO 9001:2000 Registered