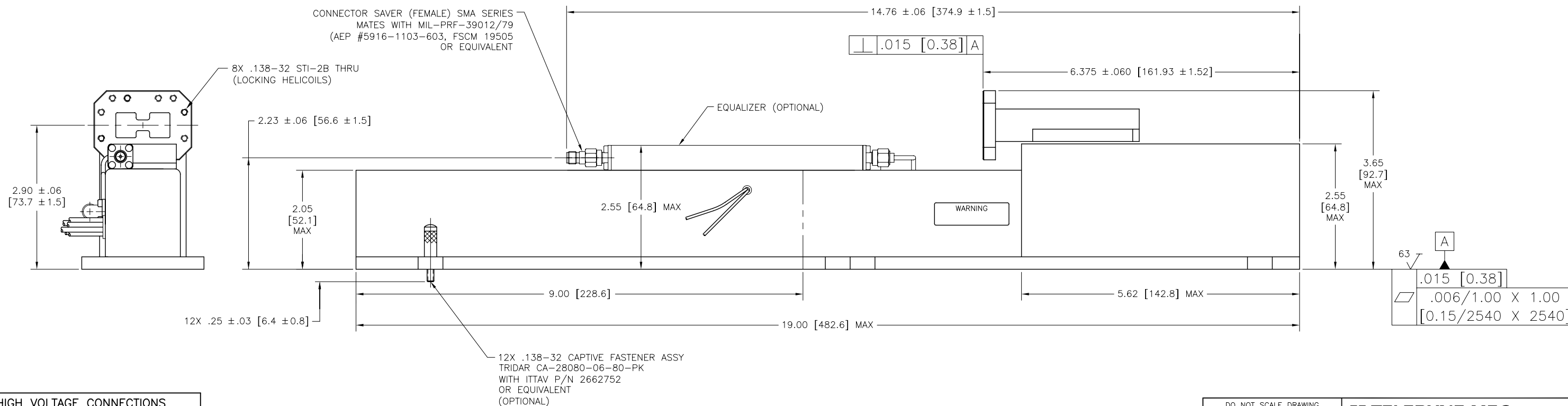
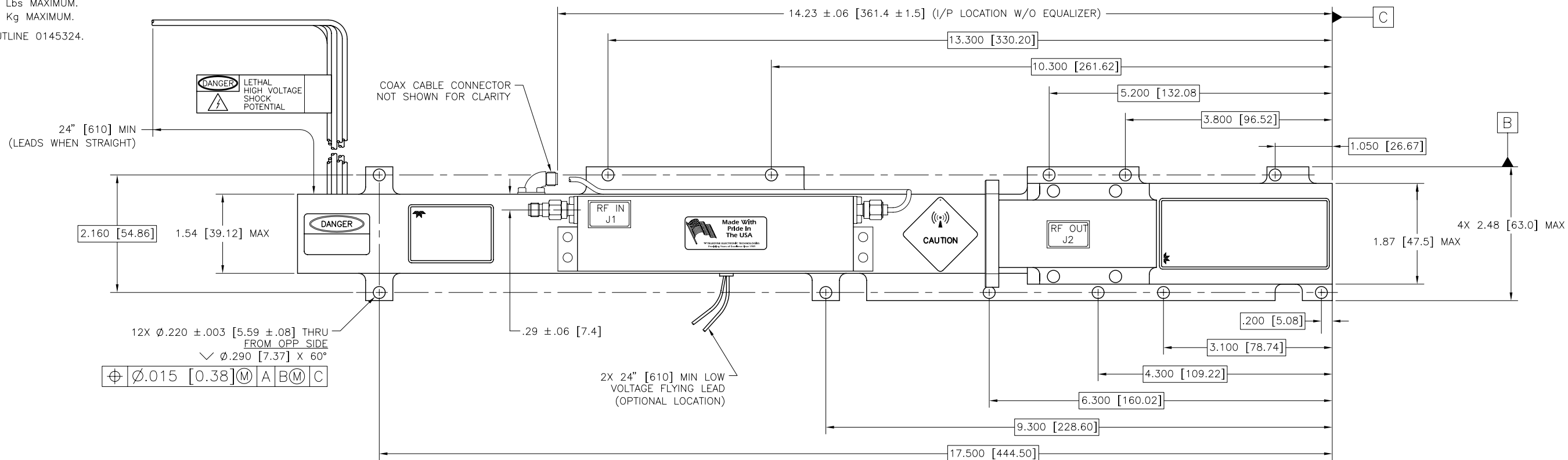


NOTES:

1. FEATURES SUCH AS TAPPED HOLES, SCREW HEADS AND COVER DETAILS ARE OMITTED FOR CLARITY.
2. WEIGHT: 9.0 Lbs MAXIMUM.
4.1 Kg MAXIMUM.
3. REFER TO OUTLINE 0145324.



| HIGH VOLTAGE CONNECTIONS | |
|--------------------------|--------|
| FUNCTION | COLOR |
| HEATER | BROWN |
| CATHODE | YELLOW |
| COLLECTOR #1 | RED |
| NC | --- |
| NC | --- |
| GRID | GREEN |

| LOW VOLTAGE CONNECTIONS | | |
|-------------------------|------------|-------|
| FUNCTION | # OF WIRES | COLOR |
| THERMOSTAT(N/C) | 1 | GRAY |
| GROUND | 1 | BLACK |

SUBJECT TO CHANGE W/O NOTICE

ISO 9001:2000 Registered

DO NOT SCALE DRAWING
UNLESS OTHERWISE NOTED
DIMENSIONS ARE IN INCHES
TOLERANCES ON
DECIMALS ANGLES
.XX ±.02 .XXX ±.005 ±2°
REMOVE ALL BURRS AND
SHARP EDGES
SURFACE ROUGHNESS PER
ASA B46.1
DIM AND TOL IAW
ASME Y14.5M - 1994

TELEDYNE MEC
11361 Sunrise Park Dr., Rancho Cordova, CA (916) 638-3344
TITLE
OUTLINE DRAWING
MEC 3096