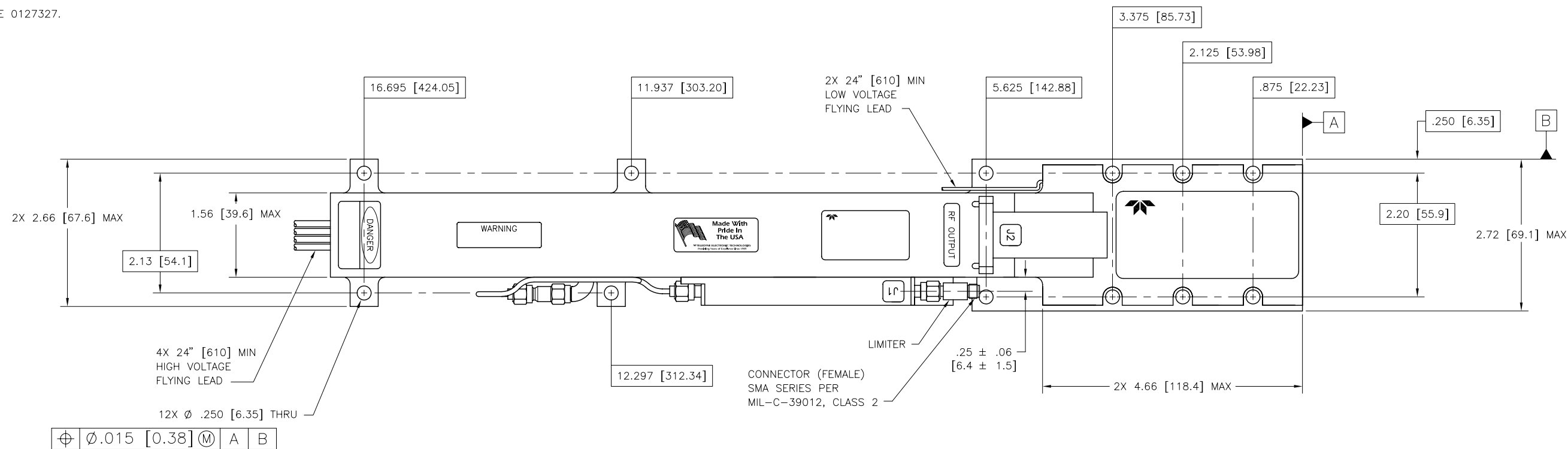
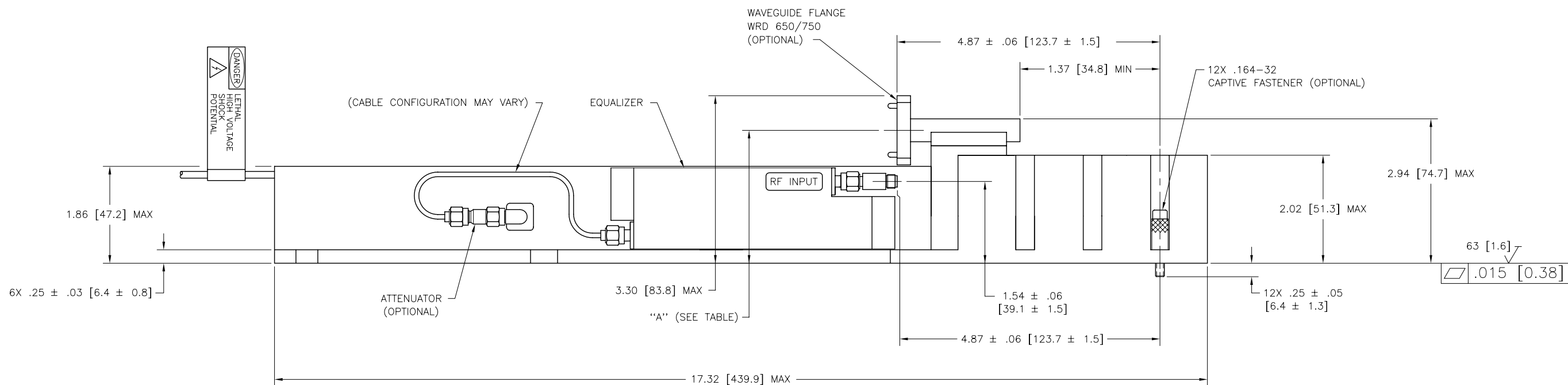


NOTES:

1. FEATURES SUCH AS TAPPED HOLES, SCREW HEADS AND COVER DETAILS ARE OMITTED FOR CLARITY.
2. WEIGHT: 7.0 Lbs MAXIMUM.  
3.2 Kg MAXIMUM.
3. REFER TO OUTLINE 0127327.



$\text{⌀} \text{ } \text{⌀} .015 \text{ [0.38]} \text{ (M)} \text{ } \text{A} \text{ } \text{B}$



HIGH VOLTAGE CONNECTIONS	
FUNCTION	COLOR
HEATER	BROWN
CATHODE	YELLOW
GRID	GREEN
COLLECTOR	RED

LOW VOLTAGE CONNECTIONS	
FUNCTION	COLOR
HELIX/GROUND	BLACK
THERMOSTAT (N.C.)	GRAY

FLANGE	"A"
WRD 650	$2.50 \pm .03 \text{ [63.5} \pm 0.8]$
WRD 750	$2.59 \pm .03 \text{ [65.8} \pm 0.8]$

DO NOT SCALE DRAWING  
UNLESS OTHERWISE NOTED  
DIMENSIONS ARE IN INCHES  
TOLERANCES ON  
DECIMALS ANGLES  
.XX ±.02 .XXX ±.005 ±2°  
REMOVE ALL BURRS AND  
SHARP EDGES  
SURFACE ROUGHNESS PER  
ASA B46.1  
DIM AND TOL IAW  
ASME Y14.5M - 1994

**TELEDYNE MEC**  
11361 Sunrise Park Dr., Rancho Cordova, CA (916) 638-3344

TITLE  
**OUTLINE DRAWING**  
MTI 3444L

SUBJECT TO CHANGE W/O NOTICE

ISO 9001:2000 Registered