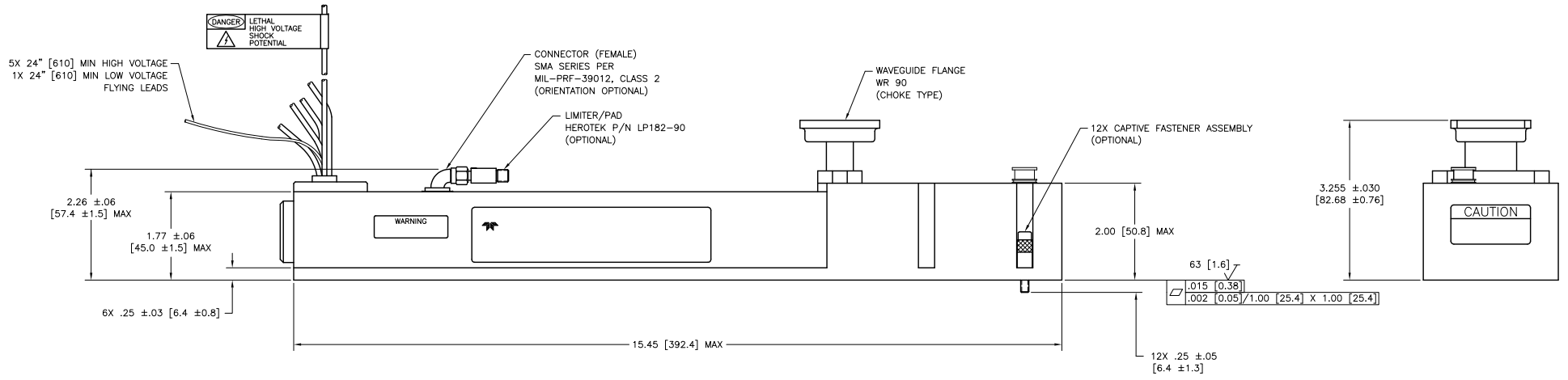
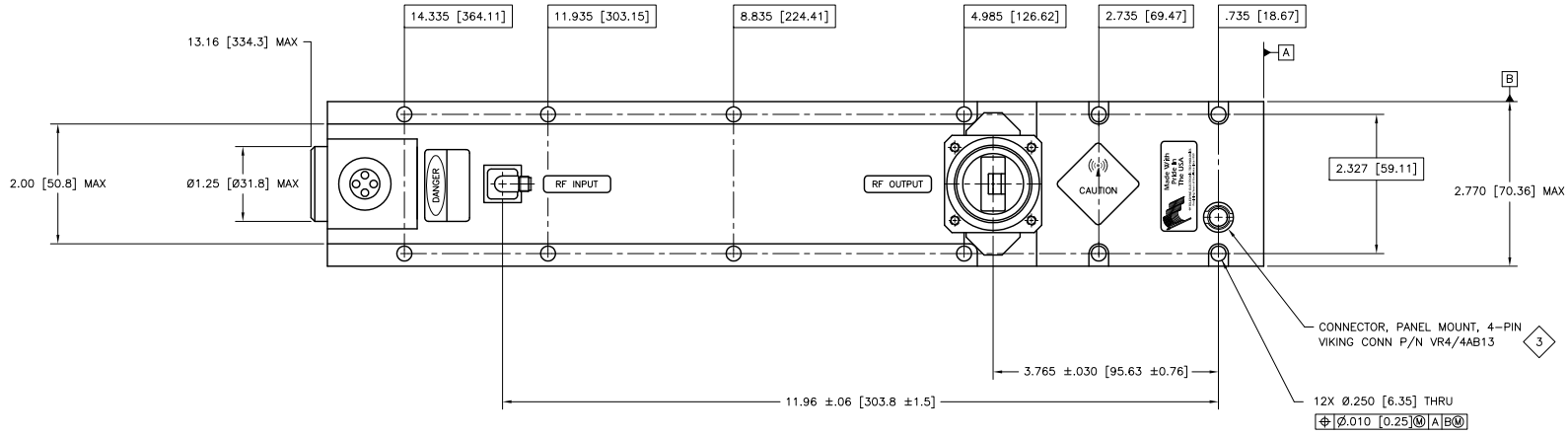


NOTES:

1. FEATURES SUCH AS TAPPED HOLES, SCREW HEADS AND COVER DETAILS ARE OMITTED FOR CLARITY.
2. WEIGHT: 7.5 Lbs MAXIMUM.
3.4 Kg MAXIMUM.
- 3 THERMOSTAT (N.C.).
4. REFER TO OUTLINE 0131813.



HIGH VOLTAGE CONNECTIONS	
FUNCTION	COLOR
HEATER	BROWN
CATHODE	YELLOW
GRID	GREEN
COLLECTOR #1	RED
COLLECTOR #2	WHITE

LOW VOLTAGE CONNECTIONS			
FUNCTION	COLOR	PIN	
SPARE	—	A	
SPARE	—	B	
THERMOSTAT (N.C.)	GREY	C	
GROUND	BLACK	D	

SUBJECT TO CHANGE W/O NOTICE

ISO 9001:2000 Registered

DO NOT SCALE DRAWING
UNLESS OTHERWISE NOTED
DIMENSIONS ARE IN INCHES
TOLERANCES ON
DECIMALS ANGLES
XX ±.02 XXX ±.005 ±2°
REMOVE ALL BURRS AND SHARP EDGES
SURFACE ROUGHNESS PER
ASA B46.1
DIM AND TOL W/ ASME Y14.5M - 1994

TELEDYNE MEC
11361 Sunrise Park Dr., Rancho Cordova, CA (916) 838-3344

TITLE
**OUTLINE DRAWING
MTI 3948B**

12/08