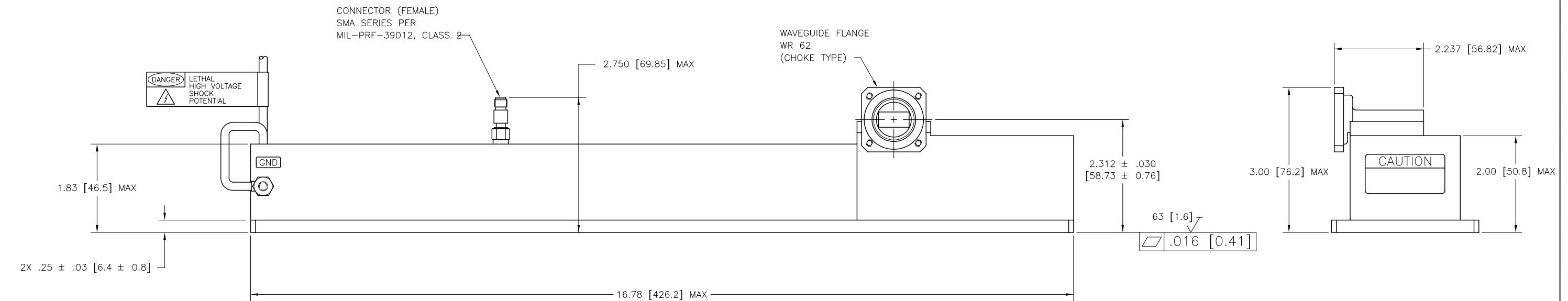
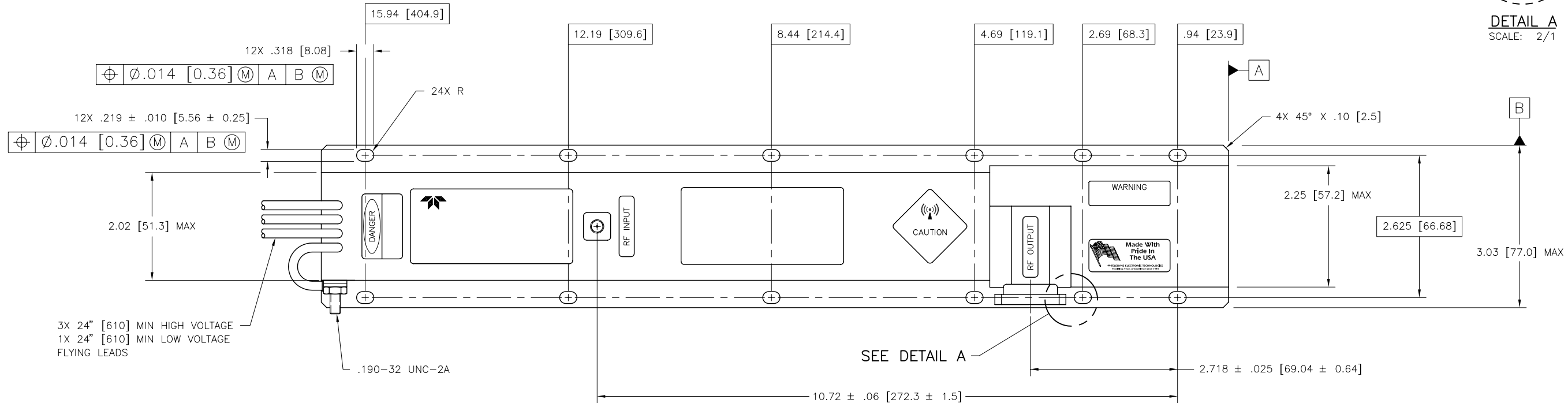
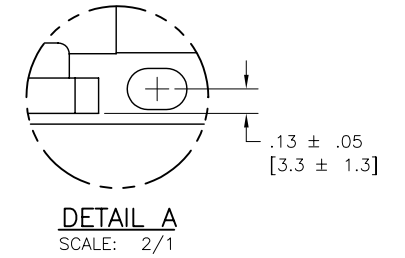


NOTES:

1. FEATURES SUCH AS TAPPED HOLES, SCREW HEADS AND COVER DETAILS ARE OMITTED FOR CLARITY.
2. WEIGHT: 6.5 Lbs MAXIMUM.
3.0 Kg MAXIMUM.
3. REFER TO OUTLINE 0135522.



HIGH VOLTAGE CONNECTIONS	
FUNCTION	COLOR
HEATER	BROWN
CATHODE	YELLOW
GRID	GREEN

DO NOT SCALE DRAWING
UNLESS OTHERWISE NOTED
DIMENSIONS ARE IN INCHES
TOLERANCES ON
DECIMALS ANGLES
.XX ± .02 .XXX ± .005 ± 2°
REMOVE ALL BURRS AND
SHARP EDGES
SURFACE ROUGHNESS PER
ASA B46.1
DIM AND TOL IAW
ASME Y14.5M - 1994

TELEDYNE MEC
11361 Sunrise Park Dr., Rancho Cordova, CA (916) 638-3344

TITLE
OUTLINE DRAWING
MTI 3056C

SUBJECT TO CHANGE W/O NOTICE

ISO 9001:2000 Registered